



70mai M500 Dash Cam User Manual

January 11, 2022 January 11, 2022

[Home](#) » [70mai](#) » 70mai M500 Dash Cam User Manual 

70mai M500 Dash Cam User Manual



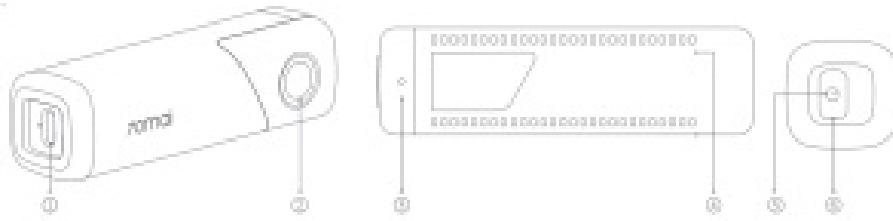
Contents [[hide](#)]

- [1 Product overview](#)
- [2 Installation](#)
- [3 Button functions](#)
- [4 Specifications](#)
- [5 Downloading 70mai app](#)
- [6 Online guide](#)
- [7 Packing list](#)
- [8 Precautions](#)
- [9 Regulatory Compliance Information](#)
- [10 FCC Caution](#)
- [11 Documents / Resources](#)
 - [11.1 Related Manuals / Resources](#)

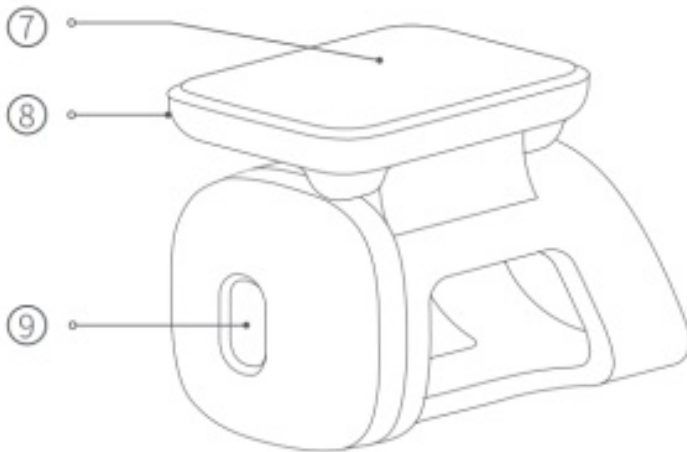
Product overview

Please read this manual carefully before using the product and keep it in a safe place.

Dash Cam



Bracket



1. Type-C power port
2. Camera
3. Microphone
4. Ventilation holes
5. Indicator
6. Power button
7. Heat resistant adhesive
8. Mount
9. Power cable hole

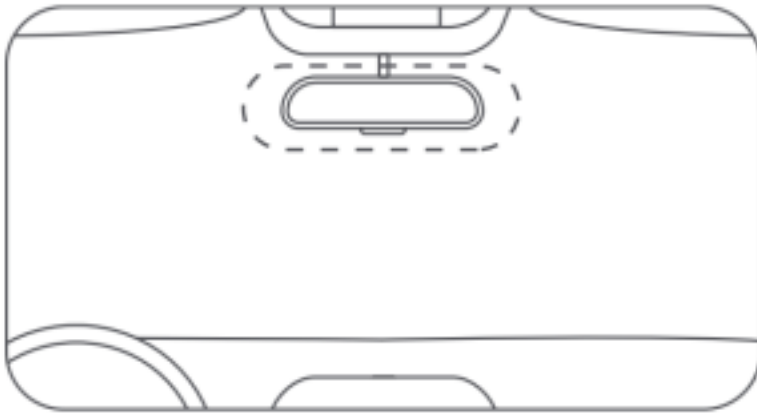
Note: Illustrations of the product, accessories, and user interface in the user manual are for reference purposes only. The actual product and functions may vary due to product enhancements.

Installation

1. Installing the electrostatic sticker

Clean your windshield and put the electrostatic sticker on the recommended area as shown in the figure. Avoid the edge of the windshield and select the flat and smooth area for the installation.

Make sure you remove air bubbles between the sticker and the glass.



2. Inserting the dash cam to the bracket

Insert the dash cam into the bracket with the power port facing inside until you hear a click sound. And then the dash cam is well installed.



3. Connecting the power cord

Connect the power cord to the Type-C power port of the dash cam. Pull the power cord to ensure that it is well connected.

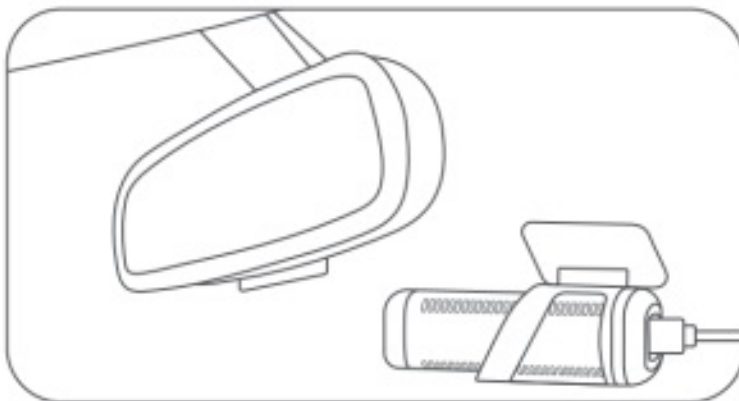


4. Pasting the bracket

Rotate the mount of the bracket and make the heat resistant adhesive face toward the front windshield.

Peel off the protective film from the heat resistant adhesive, and paste the bracket onto the electrostatic sticker in the dotted area.

Press the bracket to make sure it is firmly attached on the electrostatic sticker.



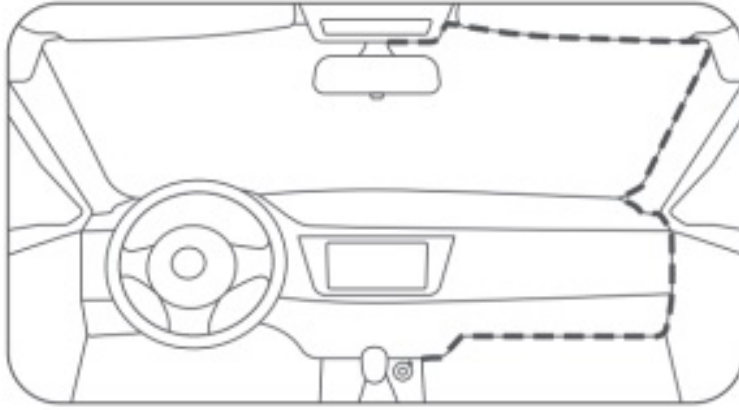
5. Connecting the power supply

As shown in the figure, run the power cord along the top of the windshield, down the A-pillar, and around the glove compartment, so that the power connector is near the cigarette lighter. Connect the power cord to the car charger, then plug the charger into the cigarette lighter socket.

Notes:

- Use the included crowbar to hide the power cord underneath the vehicle's headliner and rubber seal along the A-pillar.
- Depending on the vehicle, the cigarette lighter socket may be located in a different position. The figure

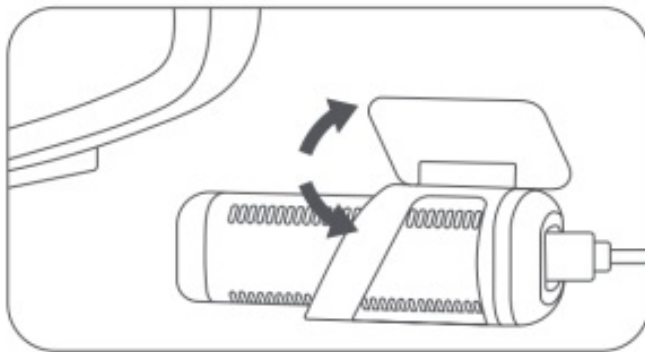
provided is for reference only.



6. **Adjusting the dash cam angle**

Connect the dash cam with the 70mai app following the instructions on the user manual.

Turn on the dash cam and adjust the camera angle based on the preview screen on the app to ensure that the camera is facing the front of the vehicle.



Button functions

Press the power button a different number of times to perform different functions.

Status	Operation	Function
Turned off	Press once	Turn on the device
	Press once	Turn the Wi-Fi on/off
	Press 4 times in a row	Format the built-in memory card
Turned on	Press 5 times in a row	Reset factory settings
	Press and hold for about 3 seconds	Turn off the device
	Press once	Confirm the connection authorization
Receiving the connection request	Press once	Confirm the connection authorization
During the operation process	Press and hold for about 15 seconds	Force shut down the device

Specifications

- Product: Dash Cam
- Model: M500
- Resolution: 2592 × 1944
- Lens: FOV 170°/ F2.0
- Input: 5V 2A
- Power Supply: Car cigarette lighter
- Battery Type: Li-ion Battery

Downloading 70mai app

This product may be used in conjunction with the 70mai app. Please search for “70mai” in the app stores or scan the QR code to download and install the app.



Note: Android 4.4 & iOS 9.0 or above is required to connect to the dash cam's Wi-Fi hotspot with a mobile phone.

70mai Dash Cam M500 Wi-Fi hotspot information

Hotspot name: 70mai_M500_XXXX (Please check the label on the device for the hotspot name.) Default password: 12345678

Please refer to the online guide for how to establish a connection.

Online guide

Scan the QR code to access the online guide. The guide provides detailed product information including descriptions of functions. Please carefully read this guide before use in order to avoid damage due to incorrect use.



Packing list

1. 70mai Dash Cam M500 × 1
2. Power cord × 1
3. Dual USB car charger × 1
4. Module × 1
5. Electrostatic sticker × 2
6. 4. Wiring crowbar × 1
7. Adhesive sticker × 2 (pre-applied to the mount)
8. User manual × 1

Precautions

Before using this dash cam, please read all the precautions and the online guide to ensure correct and safe use.

- This dash cam is intended to assist drivers with the purpose of recording the environment outside the vehicle. The dash cam does not guarantee the user's driving safety. We shall not be held liable for any accident,

- damage, or loss of information caused by operating the dash cam while driving.
- Due to differences in vehicle conditions, driving style, driving environment, etc., some functions may not work properly. A power failure, usage in environments outside the normal operating temperature or humidity range, or a collision may cause the dash cam to function abnormally. There is no guarantee that this dash cam will function normally under all circumstances. Videos recorded by this dash cam are for reference only.
 - The eMMC (Embedded Multi Media Card) is built in the dash cam for storage. You can find the memory capacity information on the label and the package.
 - Install this dash cam correctly, and do not block the driver's line of sight, nor block the vehicle's airbag, in order to avoid product failure or personal injury.
 - Use the included car charger, power cord, and other accessories in order to avoid product failure due to non-conformance. We shall not be held liable for any loss or damage caused by the use of a non-genuine car charger or power cord.
 - The dash cam is equipped with a built-in battery that cannot be removed. Do not disassemble the dash cam. Do not expose batteries or battery packs to sunlight, fire, or environments where the ambient temperature is extreme heat. There is a risk of explosion if the battery is incorrectly installed, therefore only use and replace with the same or an equivalent type of battery.
 - Keep the dash cam dry and away from water or splash to avoid battery malfunction.
 - If the battery becomes deformed, swollen, or starts leaking during use or storage, stop using the dash cam immediately in order to avoid safety issues, and contact after-sales service.
 - Never wash the dash cam with chemical solvent or cleaner.
 - Keep this dash cam away from any strong magnetic fields, as they may cause damage to the dash cam.
 - Do not use this dash cam in environments with temperatures over 60°C or below -10°C.
 - When the dash cam has been working for a while, the temperature of the outer surface may rise. Touch the surface with caution.
 - Only use this dash cam within the scope permitted by law.

Regulatory Compliance Information

WEEE Information



All products bearing this symbol are waste electrical and electronic equipment (WEEE as in directive 2012/19/EU) which should not be mixed with unsorted household waste. Instead, you should protect human health and the environment by handing over your waste equipment to a designated collection point for the recycling of waste electrical and electronic equipment, appointed by the government or local authorities. Correct disposal and recycling will help prevent potential negative consequences to the environment and human health. Please contact the installer or local authorities for more information about the location as well as terms and conditions of such collection points.

EU Declaration of Conformity



The manufacturer hereby, declares that this equipment is in compliance with the applicable Directives and European Norms, and amendments. The full text of the EU declaration of conformity is available at the following internet address: <https://help.70mai.asia/1193.html>

Safety Information

Caution

Battery abuse or mishandling can cause overheating, liquid leakage, or an explosion. To avoid possible injury, do the following:

- Do not open, disassemble, or service any battery.
- Do not attempt to replace the internal rechargeable lithium batteries.
- Do not crush or puncture the battery.
- Do not short-circuit the battery, or expose it to water or other liquids.
- Keep the battery away from children.
- Keep the battery away from fire.
- Do not leave the battery in an extremely high-temperature environment or an extremely low air pressure

environment.

- Stop using the battery if it is damaged, or if you notice any discharge or the buildup of foreign materials on the battery leads. We recommend that the batteries be charged about once every three months to prevent overcharge.
- Do not put the battery in trash that is disposed of in landfills. When disposing of the battery, comply with local laws or regulations.

FCC Caution

Changes or modifications not expressly approved by the party responsible for compliance could void the user's authority to operate the equipment.

This equipment has been tested and found to comply with the limits for a Class B digital device, pursuant to Part 15 of the FCC Rules. These limits are designed to provide reasonable protection against harmful interference in a residential installation. This equipment generates, uses and can radiate radio frequency energy and, if not installed and used in accordance with the instructions, may cause harmful interference to radio communications. However, there is no guarantee that interference will not occur in a particular installation. If this equipment does cause harmful interference to radio or television reception, which can be determined by turning the equipment off and on, the user is encouraged to try to correct the interference by one or more of the following measures:

- Reorient or relocate the receiving antenna.
- Increase the separation between the equipment and receiver.
- Connect the equipment into an outlet on a circuit different from that to which the receiver is connected.
- Consult the dealer or an experienced radio/TV technician for help.

This device complies with Part 15 of the FCC Rules. Operation is subject to the following two conditions: (1) this device may not cause harmful interference, and (2) this device must accept any interference received, including interference that may cause undesired operation.

This equipment complies with FCC radiation exposure limits set forth for an uncontrolled environment. This equipment should be installed and operated with a minimum distance of 20 cm between the radiator & your body. This transmitter must not be co-located or operating in conjunction with any other antenna or transmitter.

FCC ID: 2AOK9-M500

Service: help@70mai.com

For further information, please go to www.70mai.com

Manufacturer: 70mai Co., Ltd.

Address: Room 2220, Building 2, No. 588, Zixing Road, Minhang

Documents / Resources

70mai Dash Cam M500 User Manual

[70mai M500 Dash Cam \[pdf\] User Manual](#)
M500, 2AOK9-M500, 2AOK9M500, M500, Dash Cam

70mai

Related Manuals / Resources



[Rexing Dash Cam V3 User Manual](#)

Rexing Dash Cam V3 User Manual - Optimized PDF
Rexing Dash Cam V3 User Manual - Original PDF

[Rexing P1 Dash Cam User Manual](#)

Rexing P1 Dash Cam User Manual - Optimized PDF
Rexing P1 Dash Cam User Manual - Original PDF



[RSC Tonto Dash Cam User Manual](#)

RSC Tonto Dash Cam User Manual - Optimized PDF RSC Tonto Dash Cam User Manual - Original PDF



[Ooma Smart Cam User Manual](#)

Ooma Smart Cam User Manual - Optimized PDF Ooma Smart Cam User Manual - Original PDF



[Manuals+](#),

- [home](#)
- [privacy](#)