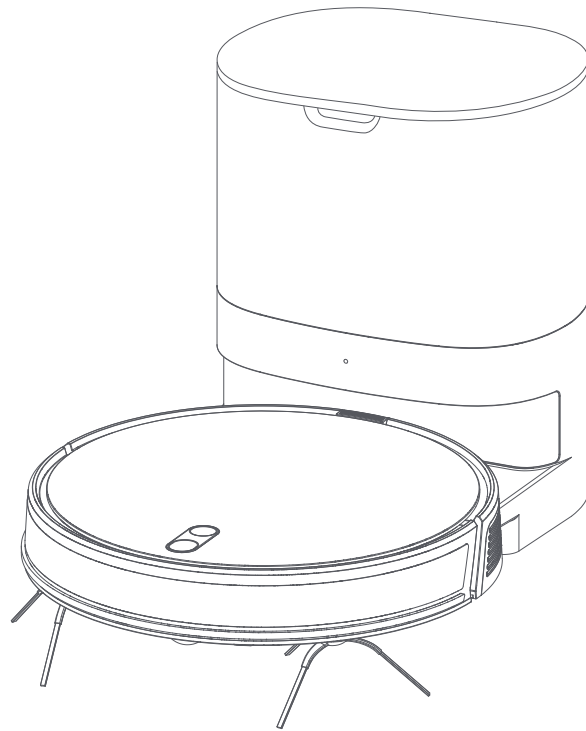


Lydsto Inertial Navigation Sweeping and Mopping Robot G2 Instruction Manual



Lydsto

Tips

Please read through this manual before using the product, and keep it properly.

目录

Safety instructions.....	1
Packing list.....	3
Product introduction.....	4
Install.....	7
Instructions for use.....	10
Connect APP.....	12
Daily maintenance.....	15
Basic parameters.....	18
Common problem.....	19
Troubleshooting.....	20

Safety instructions

- Restrictions on use**
- Plastic bags are dangerous! Keep plastic bags out of the reach of infants and children to avoid suffocation.
 - This product is designed only for cleaning the floor in the home environment. Do not use it outdoors (such as open balcony), in places other than the floor (such as sofa), or in commercial or industrial environment.
 - Do not use the product in hanging places (such as duplex floor, open balcony, top of home) without any protective rail.
 - Do not use the product in the environment above 40 °C, below 0 °C or with any liquid and viscous substances on the ground
 - Before use, please hang up the ground cable at home to avoid dragging the cable when the machine is operating.
 - Put away the fragile articles and sundries (such as flower bottles and plastic bags) on the ground to prevent the machine from being blocked or hit during operation, causing damage to valuables.
 - Do not let those who are physically, perceptually and intellectually deficient or lacking of experience and common sense (including children) use the product without monitoring or guidance.
 - Do not let children use the product as a toy.
 - Do not put the main brush cleaning tool in a place accessible to children.
 - Keep the hair, fingers and other parts of men or pets away from the suction inlet of the machine when the machine is operating.
 - Do not use the product to clean any burning objects (such as cigarette ends that are not extinguished).
 - Do not absorb hard or sharp objects (such as decoration wastes, glass and nails) with the machine.
 - To clean and maintain the machine and charging pile, you must turn off the machine, pull out the plug from the socket and disconnect the power supply first.
 - Do not immerse the machine and charging pile in water for cleaning or flush them with water.
 - Do not wipe any part of the product with a damp cloth or any liquid.
 - Do not use the floor mopping module on the carpet.
 - Do not use it under direct sunlight.
 - Use the product according to the instructions. Any loss and injury caused by improper use shall be borne by the user.

Safety instructions

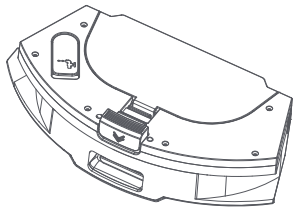
Battery and charging

- Even if the product has been seriously damaged, it is strictly forbidden to burn the product, because the product battery may cause explosion.
- Do not use the batteries, chargers and charging piles of any third party.
- Do not disassemble, repair or refit the battery and charging pile without permission.
- Do not place charging pile close to heat sources (such as radiator).
- Do not wipe or clean the dome of charging pile with a damp cloth or wet hands.
- Do not discard used batteries at will. Before discarding the sweeping and mopping robot, the power supply must be disconnected and the batteries should be taken out of the sweeping and mopping robot for environmental protection.
- In order to avoid danger, any damaged power cord must be replaced by professionals from the manufacturer, its maintenance department or similar departments.
- If you need to transport the product, make sure that the machine is turned off and it is recommended to use the original package.
- Do not pour water into the device or immerse it in water.
- If it will be not used for a long time, fully charge the machine, turn it off and put in a cool and dry place. Charge the machine at least once every three months to avoid battery damage due to over discharge.
- This appliance contains batteries that are only replaceable by skilled persons.

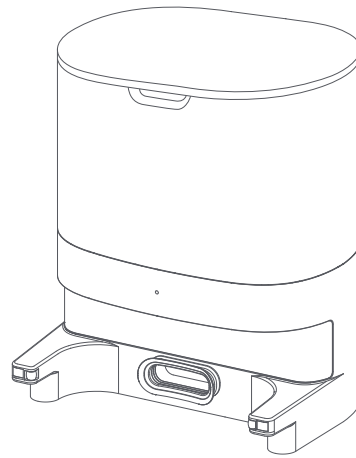
Warn

- This appliance can be used by children aged from 8 years and above and persons with reduced physical, sensory or mental capabilities or lack of experience and knowledge if they have been given supervision or instruction concerning use of the appliance in a safe way and understand the hazards involved.
- Children shall not play with the appliance.
- Cleaning and user maintenance shall not be made by children without supervision.
- This appliance contains batteries that are only replaceable by skilled persons.

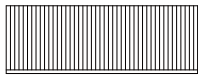
Packing list



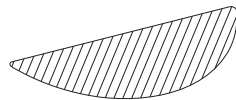
Integrated water tank and dust box and mop holder ×1



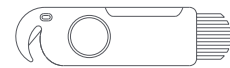
Charging pile



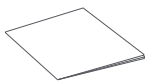
HEPA filter screen ×1



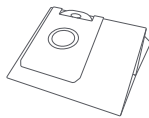
Mop ×1



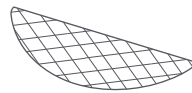
Cleaning brush ×1



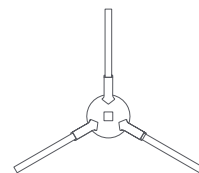
Instructions ×1



Dust bag ×2
(there is one dust bag inside the Charging pile)



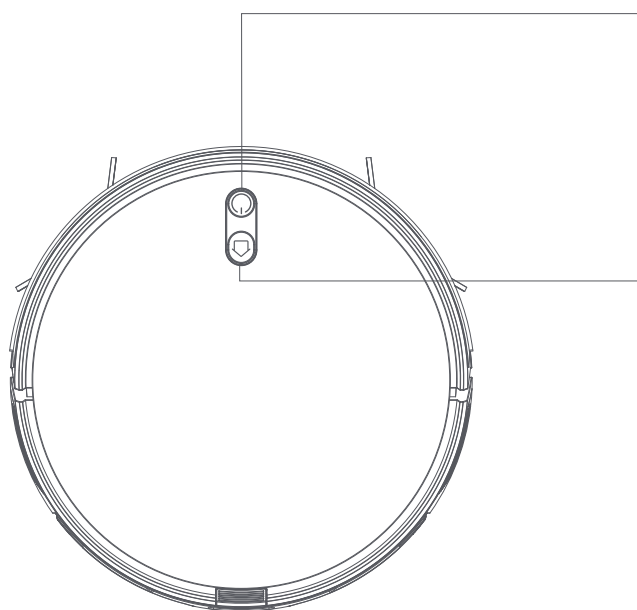
Disposable mop cloth ×5



Left-side brush ×2
Right-side brush ×2

Product introduction

1. Machine



On/Off/Sweep/Pause

- Short press to start sweeping/Pause
- Long press for 3 seconds to switch on/off

Recharge/Pause

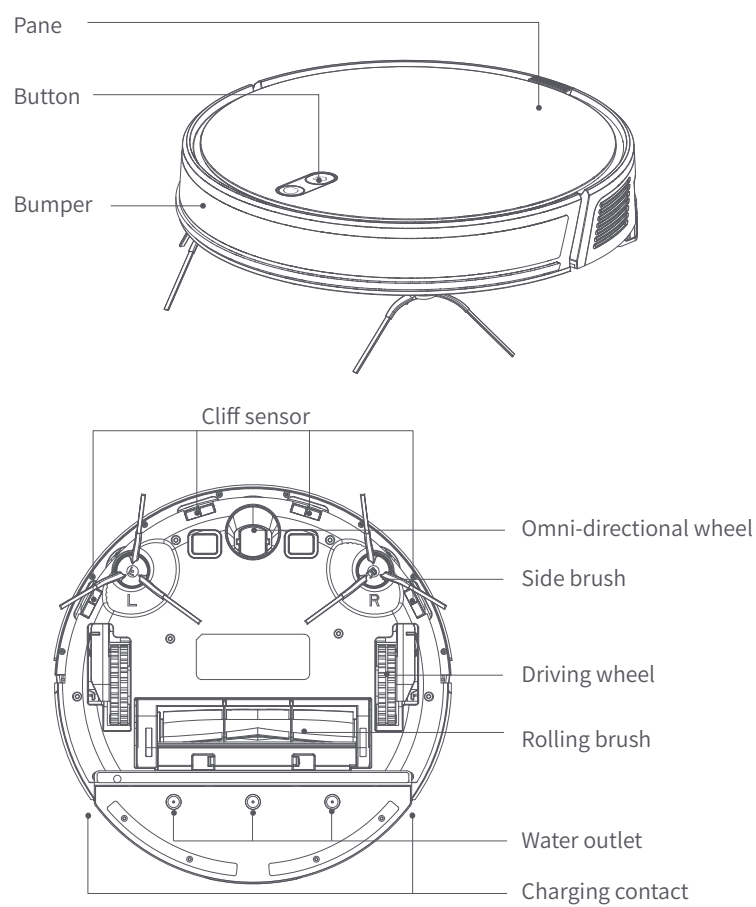
- Short press to recharge/Pause

Indicator light

- Blue: Normal operation
- Red: Abnormal state or low battery
- Orange light breathing: charging

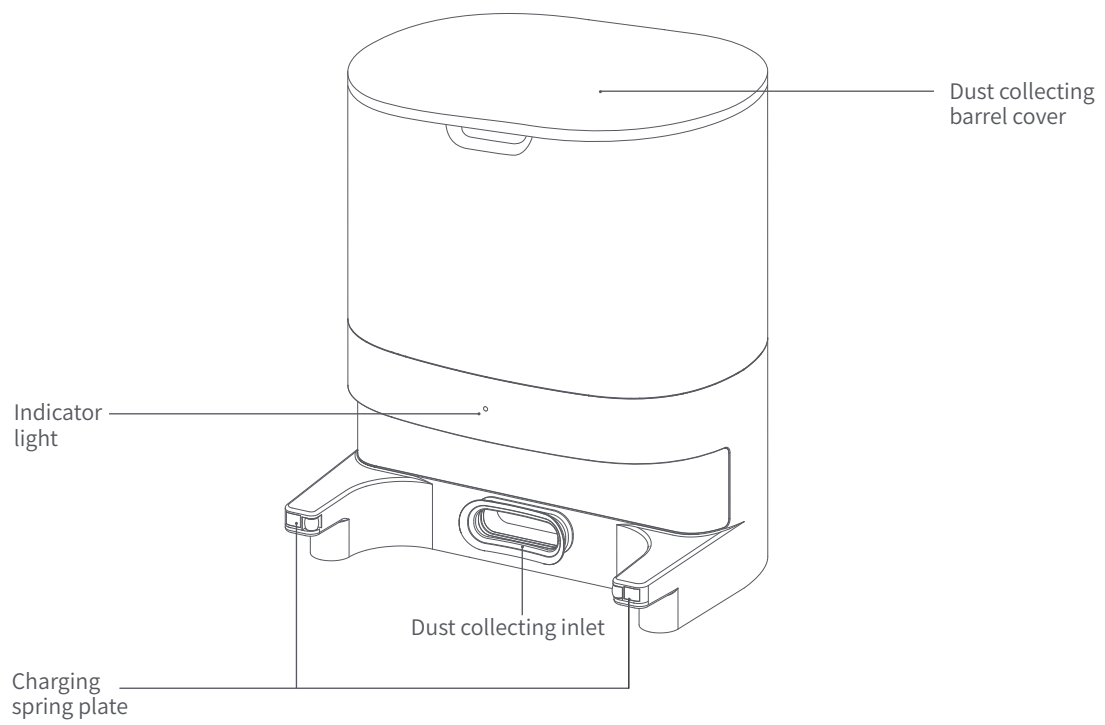
Product introduction

2.Sensor and structure



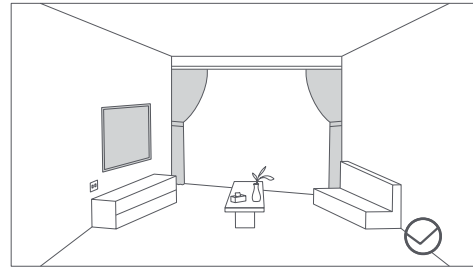
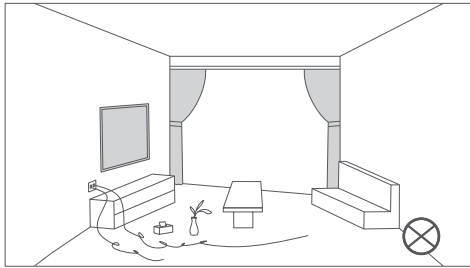
Product introduction

3.Charging pile

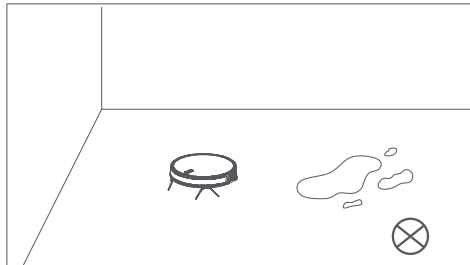


Install

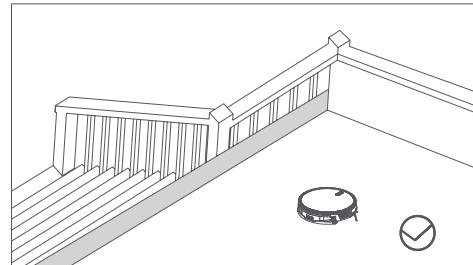
1. Precautions before installation



Please tidy up the wires, debris, and fragile, ticklish, valuable, and potentially dangerous articles scattered on the floor before activating the equipment. Avoid personal injury or property loss caused by entanglement, jamming, drag, or collision of the equipment.



Don't use the robot vacuum to clean liquid.

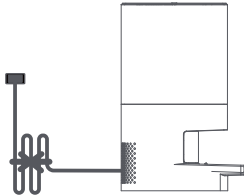


If the product is used in a suspended environment, please equip barriers to prevent accidental dropping of the equipment or articles and causing personal or property damage.

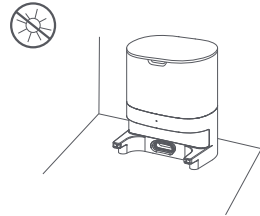
Install

2. Installation steps

(1) Connect the power cord and arrange excess wires.



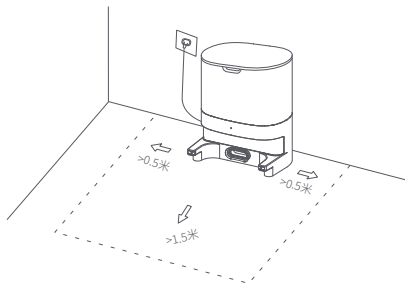
(2) Do not shake the charging pile at will and avoid direct sunlight to the charging pile.



Notes:

- Sun exposure may interfere with the recharge signal and may cause the main machine to not return to the charging pile.

(3) Place the charging pile against the flat ground wall and connect it to the power supply.

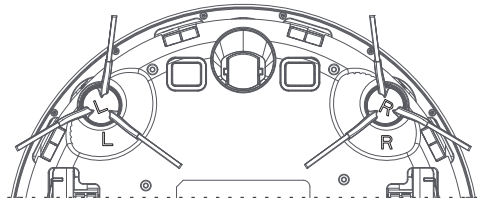


Notes:

- Ensure that there is a space of more than 0.5 meters on both sides of the charging pile and more than 1.5 meters in front of it.
- If the power cord is perpendicular to the ground, it may be dragged by the main machine, causing the power failure of charging pile.
- The charging indicator light is always on when the device is powered on.


(4) Installation of side brush

Match left-side brush (L) and right-side brush (R) with the letters L and R on the bottom case, respectively and press down. When you hear click, it suggests the installation is in place.



Install

(5) Power on and charge

Long press  button to power on, put the main machine on the charging base to charge after the indicator light is always on. When the voice prompts "start charging", it suggests it is successfully charged.

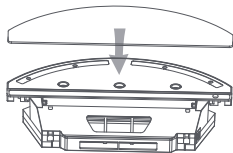


Notes:

- If the power is insufficient and the equipment cannot be started, please place the main machine on the charging base, and the equipment will be automatically started.

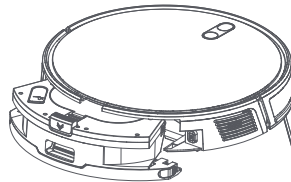
(6) Installation of mopping module

① Installation of mop: Glue the mop to the mop holder evenly and install it on the water tank.

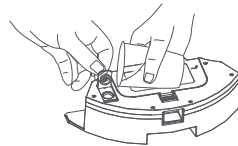


Note: It is suggested that the cleaning cloth should be cleaned after each use to guarantee the cleaning efficiency.

② Installation of water tank: Align the water tank with the machine and push it in until it gets stuck.



③ Water filling of water tank: Open the water inlet on the water tank, fill it with water and fasten the cover.



Tip: It is recommended to use pure water, No cleaning agent can be added.

Note: Do not flush and soak the water tank.


(7) Instructions of mopping module


- ① For sake of safety, please be sure to remove the mopping module when charging or not in use.
- ② Do not use the mopping function on the carpet.
- ③ In order to obtain the desired mopping effect, it is recommended to clean first and then install the mopping module for use.

Instructions for use

1. Basic operation


Switch on/Off

Long press  button for 3 seconds. When the indicator light is on, the equipment is successfully switched on.

When the machine is on standby, long press  button for 3 seconds, and the pilot lamp will go out and the machine will be switched off.

Note: The machine cannot be switched off when the main machine is being charged.

Sweep/pause


After the machine is successfully switched on, short press the  button on the main machine, or use mobile phone APP to start the sweeping.

Note:

- The robot vacuum cannot be used to sweep liquid.
- If the battery level is lower than 15%, the sweeping task cannot be performed. Please charge first and then continue the sweeping.
- The equipment will automatically return to the charging base for charging when the battery level is lower than 15% during sweeping.
- Please arrange all kinds of wires (including the power cord of charging base) on the ground before cleaning, so as to avoid power failure, damaging articles or wires caused by dragging during machine cleaning.

Charging

Automatic mode: After the completion of cleaning, the main machine will automatically return to the charging pile.

Manual mode: in the pause state, short press the  button to start the charging or use the mobile phone APP to start the charging.

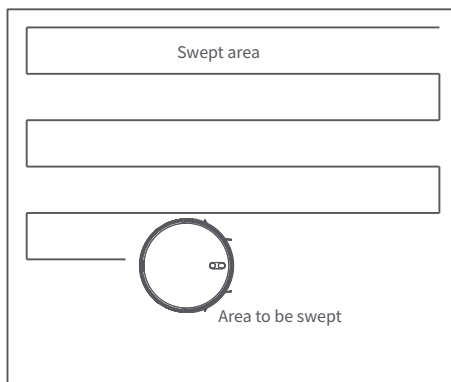
Note:

If the main machine does not find the charging base and will automatically return to the origin position, so please manually place the main machine back on the charging base to charge.

Instructions for use

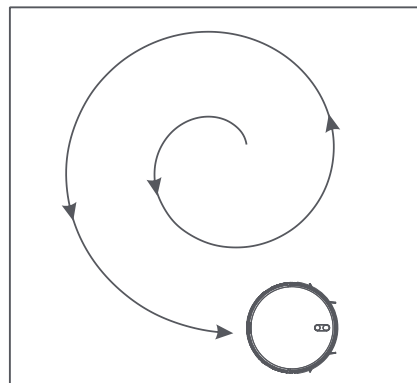
2. Automatic sweeping

After startup, the machine will plan the sweeping path in the bow shape, sweep the whole house in an orderly and efficient manner, and automatically return the charging pile for charging after sweeping (This mode is the default sweeping mode).



3. Sweeping at fixed points

Select spot cleaning mode, the machine will sweep the circular area with a diameter of 1.2m with itself as the center, after the completion of sweeping, the main machine will automatically return to the origin position and stop working. (Meanwhile, you can also manually control the machine to the position to be swept by using the direction buttons on the mobile phone APP).

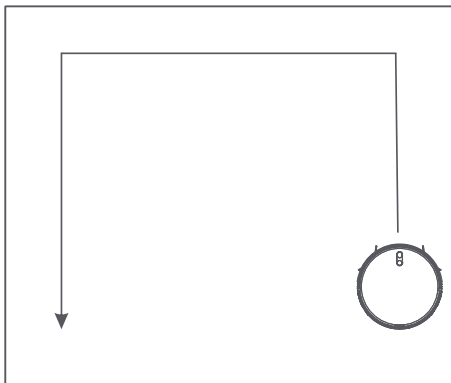


Instructions for use

4.Sweeping along sides

This mode is for sweeping of indoor corners. The machine will sweep along the periphery of fixed articles (such as, wall) and return to the charging pile at the end of work.

You can quickly start the function of sweeping along sides by using the mobile phone APP.



5.Appointed sweeping

The appointed sweeping time can be set by the mobile phone APP, and the main machine will automatically start sweeping at the specified time and return to the charging pile for charging after the sweeping is completed.

(7*24 hour appointment will be supported)

Connect APP



The product has been connected to MIJIA. It can be controlled by MIJIA APP and interconnected with other products.

Scan the QR code, download and install MIJIA APP. Users with MIJIA APP already installed will directly enter device connection page. Or search "MIJIA" in APP store, download and install MIJIA APP. Open the home page of MIJIA APP, click "+" at the top right, and add the device according to the method recommended by the APP.

Note: The actual operation may be slightly different from the description above due to the upgrade and update of MIJIA APP. Please follow the current guide in MIJIA APP.



Reset Wi Fi

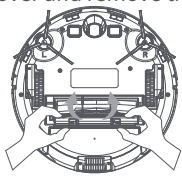
Press  and  hold the and keys at the same time for 3 seconds, you will hear the voice prompt "Wi-Fi has been reset", the power button and the recharge button will flash blue, and the sweeping robot will enter the waiting state for connection. After the connection is completed, the power button and the recharge button light will be always on blue.

Tips: only 2.4GHz frequency band Wi Fi network

Daily maintenance

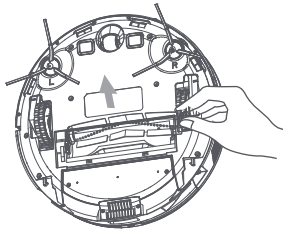
1. Rolling brush (It is recommended to clean it once a week)

(1) Flip the machine, press the snap on the rolling brush cover and remove the rolling brush cover.

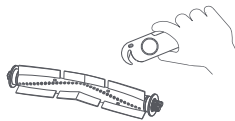


Note:
It is recommended to replace the side brush every 6-12 months to ensure the cleaning effect.

(2). Remove the rolling brush.



(3) Use the matched cleaning brush to clean the dust from the main brush and the rolling brush chamber, and then clean the entangled matters on the rolling brush.



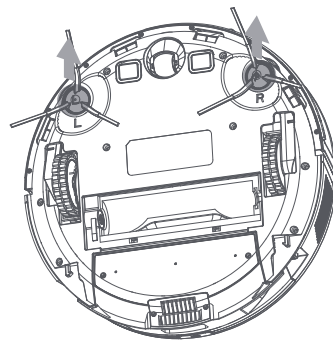
2. Side brush (It is recommended to clean it once a week)

(1) Flip the machine and vertically pull out the side brush.

(2) Clean entangled hair and dirt and install it.

(3) Match left-side brush (L) and right-side brush (R) with the letters L and R on the bottom case, respectively and press down to install it.

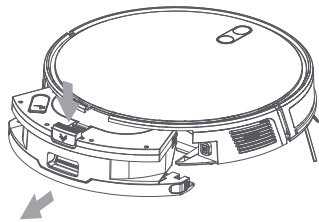
Note:
It is recommended to replace the side brush every 3 months to ensure the cleaning effect.



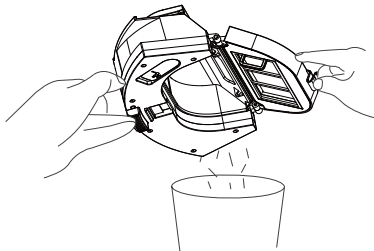
Daily maintenance

3. Dust box and filter screen (It is recommended to clean them after each sweeping)

(1) Press the button on the dust box water tank and pull back to remove the dust box water tank.

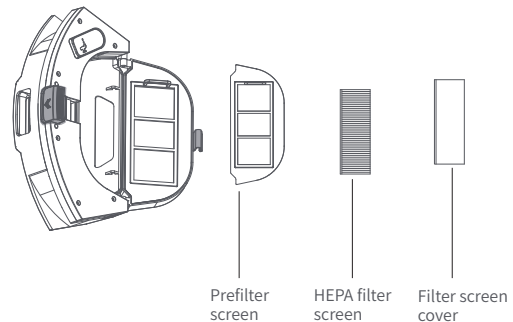


(2) Press the switch on the dust box water tank, open the dust box and pour out the garbage.



4. Dust box cleaning (It is recommended to clean it once a week)

(1) After a long period of use, remove the filter screen and HEPA filter screen.
(2) Place the detached primary filter screen and dust box under the faucet for flushing (HEPA filter screen cannot be washed)
(3) Spin-dry after washing, dry the filter screen and dust box in the air, and wait until they are thoroughly dried before use.



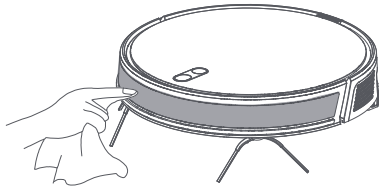
Notes:

1. Rinse with clean water and do not add any detergent.
2. Do not clean the filter screen with a brush or your fingers.
3. Make the filter screen to dry in the air for at least 24 hours until it is thoroughly dried.
4. It is recommended to replace one set of filter screen every 3 months.

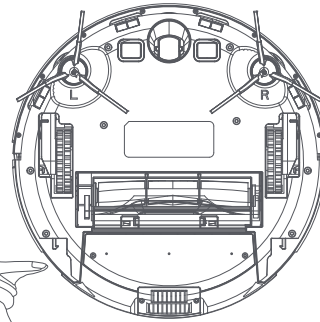
Daily maintenance

5. Sensor and contact cleaning

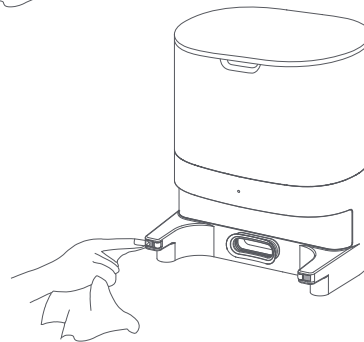
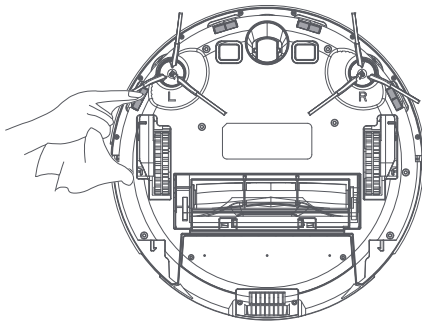
Clean anti-collision sensor (It is recommended to clean it once a month).



Clean charging contact (It is recommended to clean it once a month).

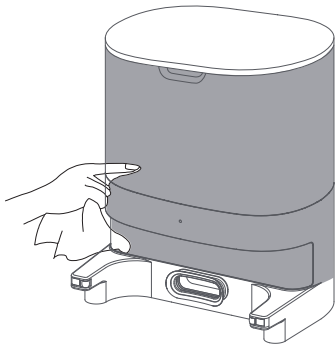


Clean cliff sensor (It is recommended to clean it once a month).



Daily maintenance

1. Clean the signal emission area of charging pile (It is recommended to clean it once a month).



Battery

- The main machine has a built-in high-performance rechargeable lithium-ion battery pack. In order to maintain the battery performance, please keep the main machine in the charging state in daily use.
- If the machine is not used for a long time, you shall switch off and store it, and charge it at least once every 3 months to avoid damage to the battery due to excessive discharge.

Firmware upgrade

You can enter the firmware upgrade function in the mobile phone APP, and upgrade it according to the prompt guide after the new firmware is detected. Firmware upgrades require $\geq 50\%$ battery level and it is recommended that the equipment be placed on the charging base for upgrade.

Basic parameters

1.Main machine

	Parameter
Model	YM-G2-B01、YM-G2-W01
Dimension	350 X 350 X 79 mm
Battery	2600mAh rechargeable lithium battery
Rated voltage	14.4V
Rated power	50W
Charging time	300min
Dust box capacity	300mL
Water tank capacity	250mL

2.Charging base

	Parameter
Dimension	276X217X330mm
Capacity of dust collecting bag	4300mL
Rated input	120V~60Hz
Rated output	19V --- 1A

Common problem

Problem type	Solution
Unable to boot	<ul style="list-style-type: none"> • If the battery power is low, please place the equipment on the charging pile to align the charging pole piece, and the equipment will power on automatically. • If the environment temperature is lower than 0°C or higher than 40°C, please use it under the environment of 0-40°C.
Unable to charge	<ul style="list-style-type: none"> • Please remove the equipment and check whether the charging base indicator light is on, and confirm whether the power plug of charging base has been plugged in and whether the socket is powered. • In case of bad contact, please clean the charging base spring plate and charging contact on the main machine, or unplug the side brush.
Unable to recharge	The main machine is too far away from the charging base. Please put the main machine near the charging base.
Abnormal behavior	Power off and restart.
Abnormal sound when sweeping	The main brush, side brush or wheel may have foreign matters entangled. Please shut down and clean them.
Impairment of cleaning ability or dust drop	<ul style="list-style-type: none"> • Dust box is full. Please clean it. • The filter screen is blocked. Please clean or replace the filter screen. • The rolling brush is tangled with foreign matters. Please clean the rolling brush.
Unable to connect WIFI	<ul style="list-style-type: none"> • If WIFI signal is not good, please make sure the main machine is in good WIFI signal coverage area. • If WIFI connection is abnormal, please reset WIFI and download the latest mobile phone client before trying to connect again. • Password was entered incorrectly. • This robot vacuum only supports 2.4G frequency band.
Appointed sweeping is not valid	<ul style="list-style-type: none"> • When the power is insufficient, the machine is not performing tasks on the charging pile, the power needs to be $\geq 15\%$; when performing cleaning tasks on the charging pile, the power needs to be $\geq 30\%$. • Do not disturb mode may be turned on and should be turned off
Whether the machine consumes power if it is on the charging base at all times	The main machine consumes very little power at the charging base at all times, which helps to keep the battery at optimal performance.
Whether the machine need to be charged for 16 hours during its first three uses.	Lithium batteries can be used after charged. They have no memory effect, and they are fully ready-to-use without waiting after fully charged.

Troubleshooting

Failure warning tone	Solution
Error 1: Please start the machine after install the dust box	The dust box triggers the sweeping function after removed. Please install it.
Error 2: The machine is in the off-the-ground state and please place it on the ground before starting	The equipment is picked up, or it is suspended. Please move the equipment on the plat floor before starting.
Error 3: Please move the machine to a safe area before starting	The cliff sensor is blocked or the machine is placed on a high place. Please wipe the cliff sensor window with a soft dry cloth or move the equipment to a flat ground before starting.
Error 4: Please place the machine flat on the ground before starting	The equipment inclines. Please move the equipment on the plat floor before starting.
Error 5: Please check whether the forward collision is blocked	Edge or collision sensor is stuck. Please push the collision plate left and right to make sure there is no clamping stagnation.
Error 6: Battery is too low, try again later	Please place the main machine on the charging pile for charging.
Error 7: The machine is stuck	Please move the machine to the open ground before starting.
Error 8: The main wheel is abnormal	The main wheel is stuck or entangled. Please check main wheel and clean foreign matters.
Error 9: The main brush is abnormal	The rolling brush is stuck or entangled. Please check rolling brush and clean foreign matters.
Error 10: Abnormal side brush	The side brush is stuck or entangled. Please check side brush and clean foreign matters.

NOTE

This equipment has been tested and found to comply with the limits for a Class B digital device, pursuant to part 15 of the FCC Rules. These limits are designed to provide reasonable protection against harmful interference in a residential installation. This equipment generates, uses and can radiate radio frequency energy and, if not installed and used in accordance with the instructions, may cause harmful interference to radio communications. However, there is no guarantee that interference will not occur in a particular installation. If this equipment does cause harmful interference to radio or television reception, which can be determined by turning the equipment off and on, the user is encouraged to try to correct the interference by one or more of the following measures:

- Reorient or relocate the receiving antenna.
- Increase the separation between the equipment and receiver.
- Connect the equipment into an outlet on a circuit different from that to which the receiver is connected.
- Consult the dealer or an experienced radio/ TV technician for help.

Warning: Changes or modifications to this unit not expressly approved by the part responsible for compliance could void the user's authority to operate the equipment.

FCC Radiation Exposure Statement

The device has been evaluated to meet general RF exposure requirement. The device can be used in mobile (min20cm) exposure condition.

