

Dreame R10S

Cordless Stick Vacuum

User Manual

THANK YOU

FOR PURCHASING THIS DREAME VACUUM CLEANER.

Registration Quick Start

Welcome to register a Dreame account by scanning the QR code.

You are available for the User Manual and Special Offers.



With it you are obtaining a high quality product that is engineered for optimal performance. If you have any questions on the product, please contact us: aftersales@dreame.tech.

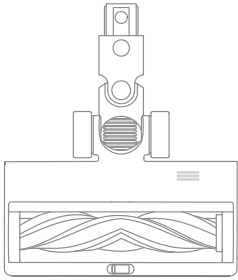
EN	User Manual	1
RU	Руководство пользователя	12
KK	Пайдаланушы нұсқаулығы	25
UA	Посібник користувача	36



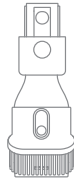
Please scan the QR code
for the User Manual.



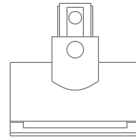
1



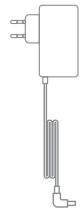
2



3



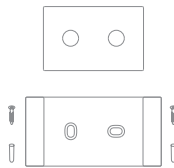
4



5

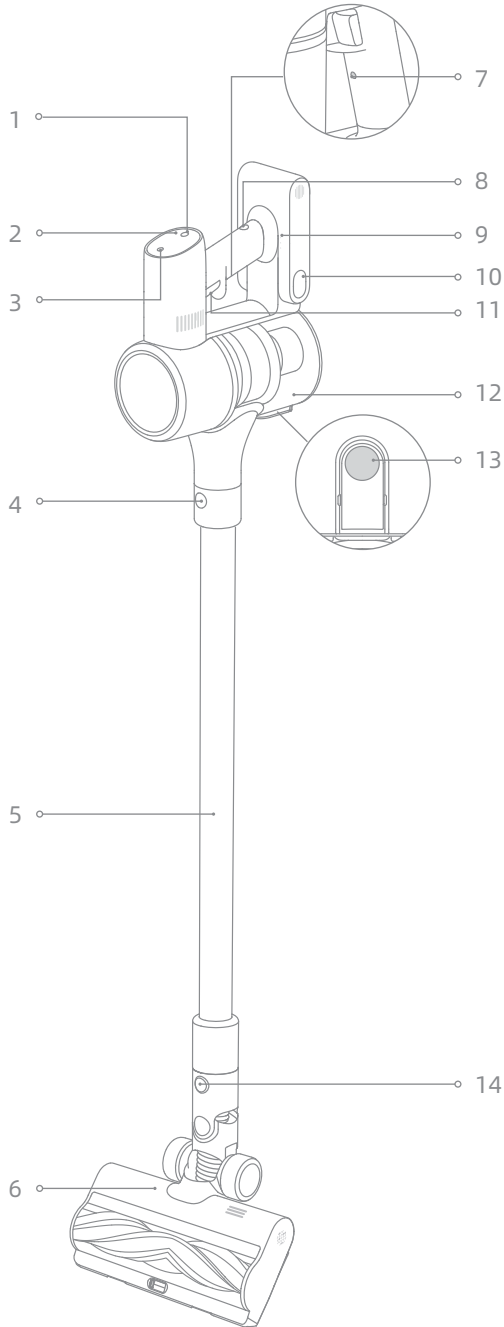


6

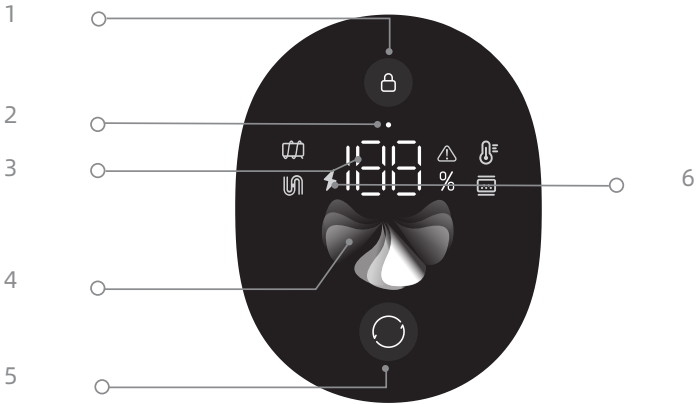


7

B-1



B-2



7

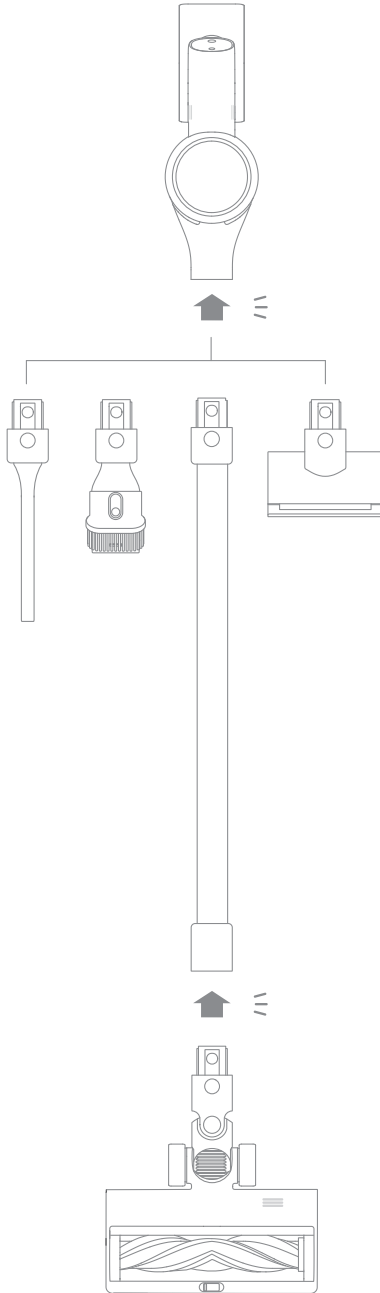


8

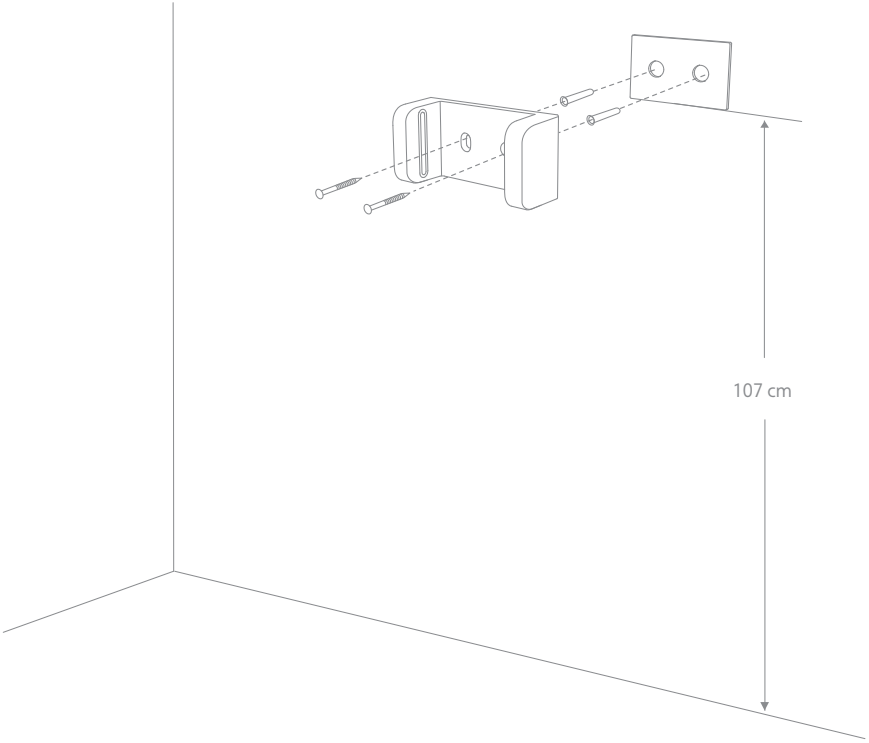


9

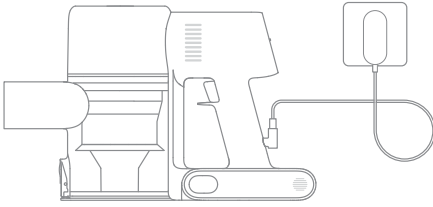
C-1



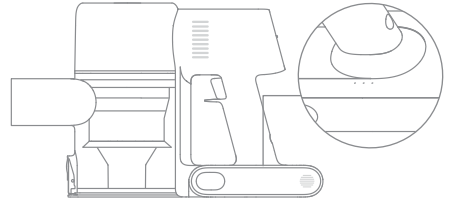
C-2



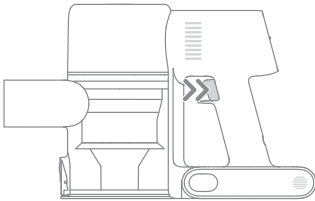
D-1



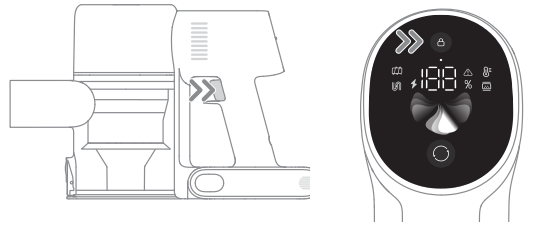
D-2



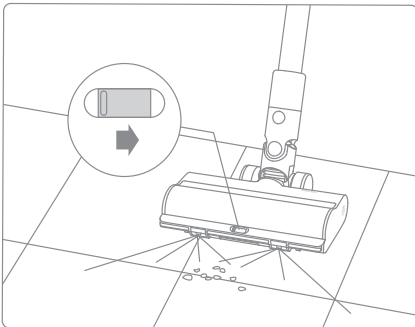
E-1



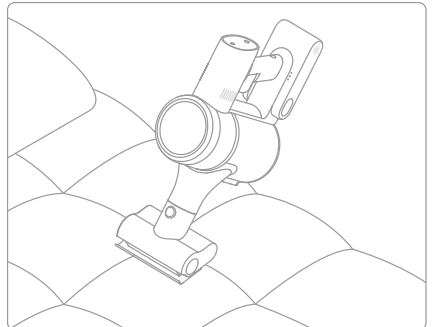
E-2



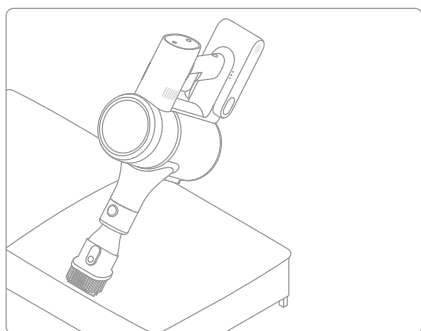
E-3



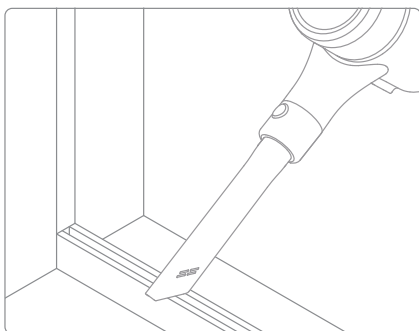
E-4



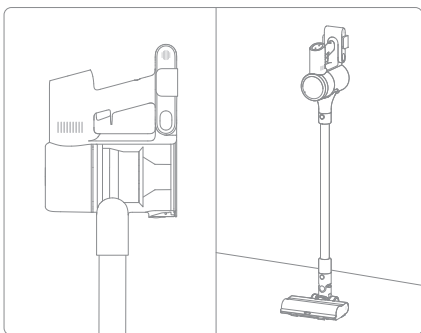
E-5



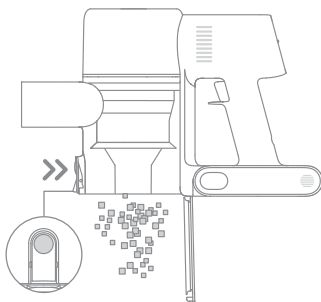
E-6



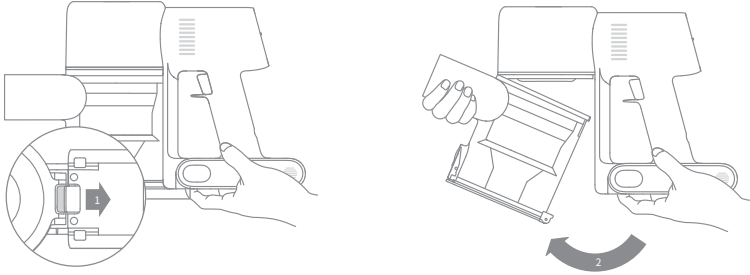
E-7



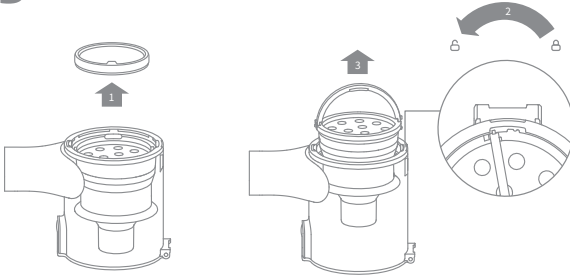
F-1



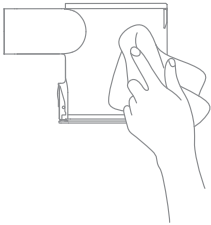
F-2



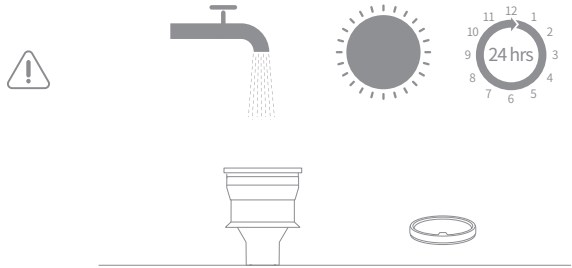
F-3



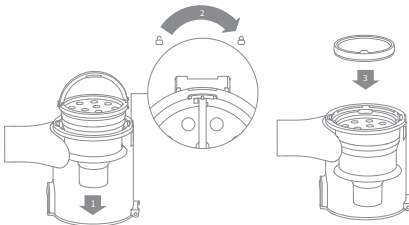
F-4



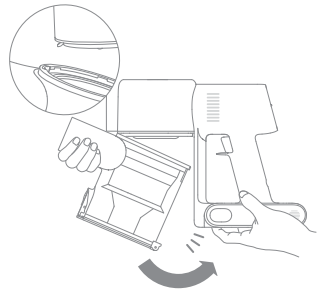
F-5



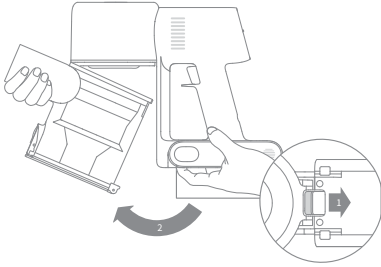
F-6



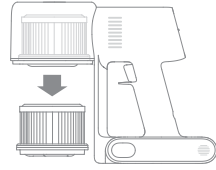
F-7



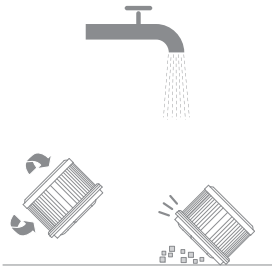
F-8



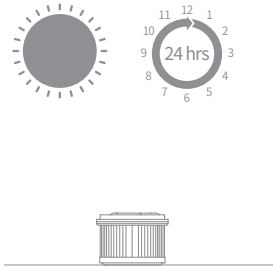
F-9



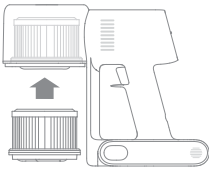
F-10



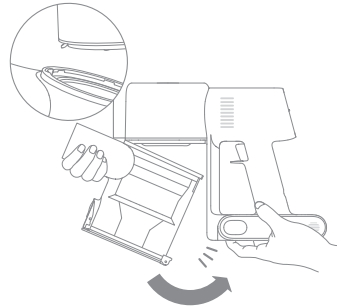
F-11



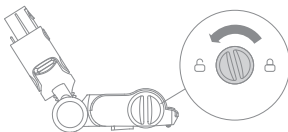
F-12



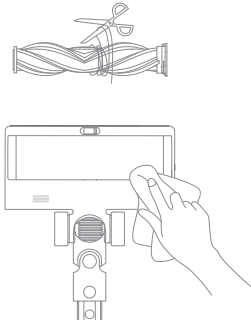
F-13



F-14



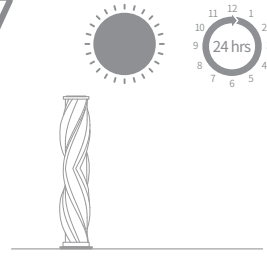
F-15



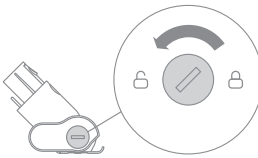
F-16



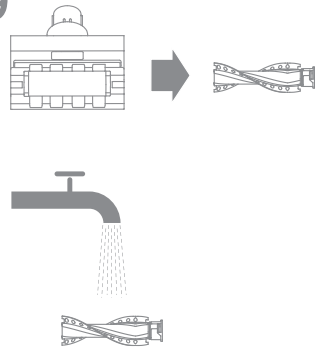
F-17



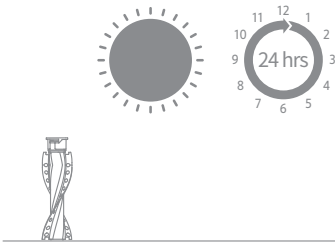
F-18



F-19



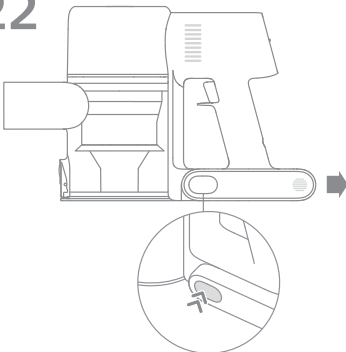
F-20



F-21



F-22



Safety Instructions

To prevent accidents including electric shock or fire caused by improper use, please read this manual carefully before use and retain it for future reference.

Warning

- This product can be used by children aged from 8 years and above and persons with physical, sensory, intellectual deficiencies, or limited experience or knowledge under the supervision of a parent or guardian to ensure safe operation and to avoid any risk of hazards. Cleaning and maintenance shall not be made by children without supervision.
- This appliance is not intended for use by persons (including children) with reduced physical, sensory or mental capabilities, or lack of experience and knowledge, unless they have been given supervision or instruction concerning use of the appliance by a person responsible for their safety.
- Children should be supervised to ensure that they do not play with the appliance.
- The vacuum is not a toy. Children shall not play with or operate this product. Please exercise caution when using the vacuum near children. Do not allow children to clean or maintain the vacuum unless supervised by a parent or guardian.
- Do not use the vacuum outdoors or on wet surfaces. Only use the vacuum on dry indoor surfaces. Do not touch the plug or any part of the vacuum with wet hands.
- To reduce the risk of fire, explosion, or injury, check to make sure the lithium battery and charging adapter are undamaged before use. Do not use the vacuum if either the lithium battery or charger is damaged.
- The multi-surface brush, illumination soft roller brush, motorized mini-brush, battery, metal connector pin, and vacuum are electrically conductive and should not be immersed in water or other liquid. Make sure to dry all filters after cleaning.
- To prevent injury caused by moving parts, turn off the vacuum before cleaning the multi-surface brush, illumination soft roller brush and motorized mini-brush. The multi-surface brush, illumination soft roller brush, motorized mini-brush, dust compartment and filter must all be properly installed before using the vacuum.
- Only use the original charging adapter. Never use an unoriginal adapter, as this may cause the lithium battery to catch fire.
- Do not use the vacuum to pick up flammable or combustible liquids, such as gasoline, or bleach, ammonia, drain cleaners or other liquids.
- Do not use the vacuum to pick up sharp or hard objects, such as glass, nails, screws, or coins, which may damage the machine. Do not use the vacuum to pick up drywall particles, ashes like fireplace ash, or smoking or burning materials such as coal, cigarette butts or matches.
- Check the area to be cleaned before use. To prevent the openings from being blocked, clear the larger paper, spitball, plastic cloth or sharp objects (such as glass, nails, screws, coins, etc.) and any object which is larger than openings.
- Keep hair, loose clothing, fingers and other parts of the body away from the vacuum's openings and moving parts. Do not point the extension rod, wand or tools at your eyes or ears or put them in your mouth.
- Do not put any object into the vacuum's openings. Do not use the vacuum with any opening blocked. Keep free of dust, lint, hair, or other items which may reduce airflow.

- Do not rest the vacuum against a chair, table, or other unstable surface, as this may cause damage to the machine or personal injury. If the vacuum becomes damaged from being knocked over or is otherwise malfunctioning, please contact our authorized service department. Never attempt to disassemble the device on your own.
- All instructions in the manual for recharging the battery must be strictly followed. Failure to properly charge the battery within the specified temperature range could damage the battery.
- Only use accessories and replacement parts recommended by the manufacturer.
- Please be extra careful when using the vacuum to clean stairs.
- Make sure the vacuum is unplugged when not used for extended periods as well as prior to performing any maintenance or repairs.
- Do not install, charge, or use this product outdoors, in bathrooms, or around a pool.
- Fire Hazard Warning: Do not apply any type of fragrance to the vacuum's filter. These types of products are known to contain flammable chemicals which may cause the vacuum to catch fire.
- Only use the original charger (Model YLS0251B-E300080/KL-WE300080-S1/PZ552-24W-3000800EU). Failing to do so may cause the lithium-ion battery to catch fire.
- WARNING: For the purposes of recharging the battery, only use the detachable supply unit provided with this appliance.
- Only use the approved battery type (Model V2309-7S1P-01). Failing to do so may cause the lithium-ion battery to catch fire.
- If the battery material is released, remove personnel from area until the batteries cool down and fumes dissipate.
- Provide maximum ventilation to clear out hazardous gases and avoid skin and eye contact or inhalation of vapors.
- Remove spilled liquid with absorbent and incinerate waste.
- Do not use and store in extremely hot or cold environments (below 0°C /32°F or above 40°C /104°F). Please charge the cordless vacuum in temperature above 0°C /32°F and below 40°C /104°F.
- This product is designed for home use only.
- The supply terminals are not to be short-circuited.



Read operator's manual



Detachable supply unit



For indoor use only

We, Dreame Trading (Tianjin) Co., Ltd., hereby, declares that this equipment is in compliance with the applicable Directives and European Norms, and amendments. The full text of the EU declaration of conformity is available at the following internet address: <https://global.dreame.tech.com>

For detailed e-manual, please go to <https://global.dreame.tech.com/pages/user-manuals-and-faqs>

Product Overview

Accessories

1. Extension Rod
2. Multi-Surface Brush
3. Wide Combination Tool
4. Motorized Mini-Brush
5. Charger
6. Crevice Nozzle
7. Wall Mount(Including screw × 2, wall plug × 2, and mounting template sticker)

Note: The images in this manual are for illustrative purposes only. The actual product may differ.

Fig. A

Component Names

1. Suction Level Switch
2. Display Screen
3. Trigger Switch Lock
4. Extension Rod Release Button
5. Extension Rod
6. Multi-Surface Brush
7. Antistatic Contact
8. Charging Port
9. LED Battery Status Indicator
10. Battery Release Button
11. Power Button
 - Press to turn on
 - Release to turn off
12. Dust Cup
13. Dust Cup Bottom Cover Release Button
14. Brush Release Button

Fig. B-1

Introduction of Display Screen

1. Trigger switch lock
Press briefly to enter/ exit the lock state.
2. Lock Status
3. Battery Level Percentage

When the display shows "LO", it indicates that the battery level is lower than 10%.

4. Suction Level

The color of fan-shaped icon changes with different modes.

5. Suction Level Switch

Press briefly to switch between eco, med and turbo mode.

Note: The Med mode is used by default every time the vacuum is turned on.

6. ⚡ Charging/Battery Level Indicator

Blinking red: Battery level ≤ 10%

Pulsing red: Battery level ≤ 10% (charging)

Pulsing green: Battery level > 10% (charging)

7. Med

8. Eco

9. Turbo

If the vacuum is not working properly, the screen display will show an error message. Please refer to the troubleshooting table to find your solution.

Fig. B-2

Installation

Fig. C-1 ≡ Click

Wall Mount Installation Diagram

1. The bottom edge of the mounting template sticker should be parallel to and about 107 cm from the ground.
2. Use a power drill with an 8 mm drill bit to drill a hole into each marker on the mounting template sticker, then insert a wall plug into each hole.
3. Align the holes on the mount with the holes on the wall. Fasten it to the wall with the included screws.

Fig. C-2

Note:

- The wall mount is an optional accessory. You can install it based on your needs.
- The wall mount should be installed on a cool, dry surface with an electrical outlet nearby. Prior to installing, ensure that there are no electrical wires or pipes in the space directly behind installation position.

Charging

Fully charge the vacuum before using it for the first time.

Note:

- A full charge will take approximately 3.5 hours.
- Using Turbo mode for a prolonged period will cause the battery to heat up, which increases charging time. Allow the vacuum to cool down for 30 minutes before charging it.

Charging Methods

Charging the vacuum with the charger

Fig. D-1

LED Battery Status Indicator

- ● ☀ Low battery
- ☀ ○ Half battery
- ☀ ○ ○ Nearly full
- ○ ○ Fully charged

- Off ☀ Blinking ○ On

Note: Once the vacuum is fully charged, the indicator will turn off after 5 minutes, and the vacuum will enter the energy-saving mode.

Fig. D-2

How to Use

Battery Status Display

Display Screen

The number on the display screen represents the current battery level in a percentage during charging. When the number becomes 100, the battery is fully charged.

Working Methods

Select from two working methods for the vacuum, based on your needs.

Method 1: Discontinuous Cleaning Mode

Press and hold the on/off switch to power it on, and release it to stop immediately.

Fig. E-1

Method 2: Continuous Cleaning Mode (Trigger switch lock)

Click the trigger switch lock to switch to Continuous Cleaning Mode when the vacuum is running. Then release the on/off switch to make the vacuum in Continuous Cleaning Mode.

Use the trigger switch lock to free your fingers and avoid finger fatigue caused by holding the switch.

Fig. E-2

Note:

- In this mode, the lock indicator will illuminate steadily.
- Click the trigger switch lock again to quit the Continuous Cleaning Mode.

Using Different Accessories

Multi-Surface Brush

- When using on baby play mats, carpets or for vacuuming coffee beans, pop corn and other pellets, turn on the switch on the brush.

- When vacuuming on tiles, wooden floors or other hard surfaces, turn off the switch.

Fig. E-3

Note: When the appliance starts, the lights in front of the brush roller will automatically turn on, which is convenient for use.

Motorized Mini-Brush

For vacuuming dirt, pet hair, and other stubborn debris from sofas, bedding, and other fabric surfaces.

Fig. E-4

Note: It is not recommended to vacuum on fragile surfaces, such as silk.

Wide Combination Tool

For vacuuming curtains, keyboards, ceilings, sofas, vehicle interiors, coffee tables, etc.

Fig. E-5

Crevice Nozzle

Suitable for vacuuming cracks, corners of doors and windows, stairs, and other hard-to-reach places.

Fig. E-6

Wall Mount

The vacuum cleaner can be placed on the wall mount when it is not in use.

Note: Place vacuum cleaner on the wall mount with the extension rod and multi-surface brush connected.

Fig. E-7

Note:

- If any rotating part becomes stuck, the vacuum may shut off automatically. Remove any trapped foreign objects, then resume use.
- When the motor becomes overheated, the vacuum will automatically shut off. Wait until the battery temperature returns to normal, then resume use.

Care & Maintenance

Tips:

1. Always use genuine parts to keep your warranty from being void.
2. If the filter or nozzle becomes clogged, the vacuum will stop working shortly after being turned on. Clear the tube to restore functionality.
3. If the vacuum is not used for an extended period, fully charge it, unplug its charger, and store it in a cool, low-humidity environment away from direct sunlight. To avoid over-discharging the battery, recharge the vacuum at least once every three months.

Cleaning the Vacuum

Wipe the vacuum with a soft dry cloth.

Cleaning the Dust Cup, Pre-Filter, and Cyclone Assembly

The vacuum's cleaning ability will be reduced if the dust cup is filled to the "MAX" mark. To regain performance, empty the dust cup in a timely manner. Before emptying the dust cup, make sure the vacuum is disconnected from the power, and do not press its power button.

1. Press the dust cup bottom cover release button, then empty the contents.

Fig. F-1

2. Push the dust cup release switch in the direction indicated by the arrow, then gently remove the dust cup from the vacuum.

Fig. F-2

3. Remove the pre-filter first, then lift the handle of the cyclone assembly and turn it counterclockwise until it stops, then pull to lift out the cyclone assembly.

Fig. F-3

4. Wipe the dust cup with a soft wet cloth. Pay attention to wringing out the cloth before using.

Fig. F-4

⚠ To reduce the risk of electric shock, do not rinse the dust cup with water.

5. Rinse the cyclone assembly and pre-filter until they are clean. After washing, air dry for at least 24 hours .

Fig. F-5

Note:

- It is recommended to clean the dust cup once every month.
- It is recommended to clean the pre-filter at least once every 3 months and the cyclone system at least once every 6 months.

Installing the Dust Cup, Pre-Filter, and Cyclone Assembly

1. Insert the cyclone assembly vertically into the dust cup, and make sure that the handle of the cyclone assembly line up with the slot on the left side of the dust cup. Turn the handle clockwise until it locks, then flip the handle down.

2. Place the pre-filter with its front side facing up into the cyclone assembly.

Fig. F-6

3. Slightly tilt the dust cup so the slot aligns with the clip on the vacuum. Then gently push the dust cup until it clicks into place.

Fig. F-7

Cleaning the Filter

It is recommended to clean the filter once every 4 to 6 months.

1. Remove the dust cup as shown in the figure.

Fig. F-8

2. Remove the filter from the vacuum by pulling it down in the direction shown in the figure.

Fig. F-9

3. Clean the filter with clean water. Make sure you rotate the filter 360° to thoroughly and remove all dust caught in the filter. Lightly tap the filter several times to remove any excess dirt.

Fig. F-10

4. Allow the filter to air dry for 24 hours.

Fig. F-11

Note:

- Only use clean water to wash the filter. Do not use detergent.
- Do not attempt to clean the filter with a brush or finger.
- It is recommended to clean the filter once every 4 to 6 months.

Installing the filter

1. Insert the filter into the vacuum and gently press down, as illustrated.

Fig. F-12

2. Reinstall the dust cup.

Fig. F-13

Cleaning the Multi-Surface Brush

1. Turn the lock counterclockwise until it stops, then remove the roller from the roller brush.

Fig. F-14

2. Use scissors to cut off the hairs and fibers that get stuck on the brush roller. Wipe the dust from the notch and transparent cover with a dry cloth or paper towel. Thoroughly dry before use.

Fig. F-15

3. When it is dirty, rinse the brush roller with clean water until it is clean.

Fig. F-16

4. Stand the brush roller upright for at least 24 hours until it is fully dry.

Fig. F-17

Cleaning the Motorized Mini-Brush

1. Use a coin as illustrated to rotate the lock counterclockwise until you hear a click.

Fig. F-18

2. After unlocking the motorized mini-brush, remove the brush roller, then rinse and clean it.

Fig. F-19

3. Stand the brush roller upright in a well-ventilated area for at least 24 hours until it is fully dry.

Fig. F-20

4. Once the brush roller is dry, reinstall it by following the disassembly steps in reverse.

Fig. F-21

Battery Pack

The vacuum contains a removable rechargeable lithium-ion battery pack which has a limited number of recharge cycles. After extended use, the battery pack may no longer hold a charge. If this happens, it means the battery pack has reached the end of its life cycle and needs to be replaced.

1. Press down the battery pack release button and slide the battery pack to the right, as illustrated, to remove it.

2. Install the new battery pack.

Fig. F-22

EN Specifications

Vacuum			
Model	VZV22A		
Charging Voltage	30 V DC	Rated Voltage	25.2 V DC
Rated Power	350 W	Charging Time	Approx. 3.5 hours
Motorized Mini-Brush			
Model	VMM4		
Rated Power	20 W	Rated Voltage	25.2 V DC
Multi-Surface Brush			
Model	VMBR		
Rated Power	40 W	Rated Voltage	25.2 V DC
Charger			
Model	YLS0251B-E300080/KL-WE300080-S1/PZ552-24W-3000800EU		
Input	100-240 V \sim 50/60 Hz 0.8 A Max	Output	30 V DC 0.8 A
Average Active Efficiency	88.53%	Efficiency at Low Load (10%)	78.66%
No-load Power Consumption		0.09 W	
Rechargeable Lithium-Ion Battery Pack			
Model	V2309-751P-01		
Nominal Voltage	25.2 V DC	Nominal Capacity	2500 mAh
Rated Capacity	2400 mAh	Energy	60.48 Wh

If the vacuum is not working properly, please refer to the table below.

Errors	Possible Causes	Solutions
Vacuum does not work.	The appliance is out of battery or its battery level is low.	Fully charge the vacuum, then resume use.
	Overheat protection mode triggered by a blockage.	Clean the suction openings or air duct. Wait until the vacuum cools down, then reactivate it.
	The suction opening or air duct is blocked.	Clear any blockages from suction opening or air duct.
Weak suction force.	Dust cup is full and/or filter assembly is clogged.	Empty the dust cup and clean the filter assembly.
	Attachment is blocked.	Clear any blockages in the attachment.
The motor makes a strange noise.	Main suction opening or extension rod is blocked.	Clear any blockage in the main suction opening or extension rod.
The first indicator is red when charging the vacuum.	The battery pack is damaged.	Please contact after-sales service to arrange maintenance.
The first indicator blinks red when charging the vacuum.	The charger is incompatible.	Only use the original charger to charge the vacuum.

Errors	Possible Causes	Solutions
The battery indicator does not light up when charging.	The charger does not plug into the vacuum well.	Check whether the charger is properly plugged into the vacuum.
	The battery is charged and switches to Sleep Mode automatically.	The vacuum runs normally.
	The problem persists after ruling out the above two possibilities.	Please contact the after-sales department for maintenance.
The vacuum charges slowly.	The battery temperature is too low or too high.	Wait until the battery temperature returns normal, and then recharge.
LED lights of the multi-surface brush do not work.	LED lights are damaged.	Please contact the aftersales department for maintenance.





The lithium-ion battery pack contains substances that are hazardous to the environment. Before disposing of the vacuum, please remove the battery pack, then discard or recycle it in accordance with local laws and regulations of the country or region it is used in.

The appliance must be disconnected from the power supply when removing the battery. Keep batteries out of the reach of children. Never put batteries in mouth. If swallowed, contact your physician or local poison control.

Under abusive conditions, never contact the battery from which the liquid may be ejected. If contact accidentally occurs, rinse with water. If liquid contacts eyes, seek medical help immediately. Liquid ejected from the battery may cause irritation or burns.

Troubleshooting

If the vacuum is not working properly, the screen display will show an error message. Please refer to the troubleshooting table to find your solution.

Error Icon	Status	Error Message	Solutions
	Blinking orange	Air duct blocked	Check whether the dust cup, extension rod, or brush is blocked.
	Blinking orange	Brush roller stuck	Refer to the [Cleaning the Brush] section to clean the debris and hair tangled on the brush roller.
	Solid orange	Filter is expiring	Please replace the filter in time.
	Blinking red	High-temperature alert	Please wait until the motor temperature returns normal.

If one of the error codes from E0 to E4 appears on the display screen, please contact the after-sales service team.

WEEE Information



All products bearing this symbol are waste electrical and electronic equipment (WEEE as in directive 2012/19/EU) which should not be mixed with unsorted household waste. Instead, you should protect human health and the environment by handing over your waste equipment to a designated collection point for the recycling of waste electrical and electronic equipment, appointed by the government or local authorities. Correct disposal and recycling will help prevent potential negative consequences to the environment and human health. Please contact the installer or local authorities for more information about the location as well as terms and conditions of such collection points.

Инструкции по технике безопасности

Во избежание травм из-за случайного поражения электрическим током или воспламенения в результате неправильной эксплуатации изделия перед началом использования внимательно прочитайте руководство по эксплуатации.

Предупреждение

- Данное изделие не должно использоваться людьми с ограниченными физическими или интеллектуальными возможностями и нарушениями в работе органов чувств, а также лицами, не имеющими соответствующего опыта и знаний (включая детей), за исключением случаев, когда изделие используется под наблюдением или руководством ответственного лица для гарантии безопасности.
- Данное устройство не предназначено для использования лицами (включая детей) с ограниченными физическими, сенсорными или умственными способностями, а также с недостатком опыта и знаний, за исключением случаев, когда такие лица находятся под присмотром или проинструктированы относительно использования устройства лицом, ответственным за их безопасность.
- Следите за тем, чтобы дети не играли с устройством.
- Детям строго запрещено использовать данное изделие по назначению или в качестве игрушки. Будьте крайне осторожны во время использования изделия рядом с детьми. Детям строго запрещено чистить или ремонтировать изделие без контроля взрослых.
- Строго запрещено использовать изделие на открытом воздухе или на влажной поверхности. Используйте изделие только на сухой поверхности внутри помещения, не прикасайтесь к штепсельной вилке или любой другой части изделия мокрыми руками.
- Во избежание воспламенений, взрывов или травм проверьте литиевый аккумулятор и зарядное устройство перед началом использования на наличие повреждений. Запрещено использовать пылесос, если литиевая батарея или зарядное устройство повреждены.
- Универсальная щетка, мягкая роликовая щетка с подсветкой, мини-щетка с электроприводом, аккумулятор, металлический контакт разъема и пылесос являются токопроводящими компонентами, поэтому их нельзя погружать в воду или другую жидкость. Обязательно высушите все фильтры после чистки.
- Во избежание травм от подвижных частей выключайте пылесос перед очисткой универсальной щетки, мягкой роликовой щетки с подсветкой и мини-щетки с электроприводом. Перед использованием пылесоса необходимо правильно установить универсальную щетку, мягкую роликовую щетку с подсветкой, мини-щетку с электроприводом, отсек для пыли и фильтр.
- Используйте только оригинальное зарядное устройство, не используйте неофициальный адаптер, так как это может привести к возгоранию литиевого аккумулятора.
- Не используйте изделие для удаления воды, легковоспламеняющихся или взрывоопасных жидкостей, таких как бензин и т.д. Не используйте изделие для удаления токсичных растворов, таких как хлорный отбеливатель, аммиак, чистящие средства для канализации, или других жидкостей.
- Запрещено использовать пылесос для очистки извести, цемента, гипсового

порошка, каминной золы и пепла, а также для дыма или зажигательных средств, таких как угли, окурки или спички.

- Перед началом эксплуатации проверьте зону для уборки. В случае обнаружения крупных листов бумаги, бумажных шариков, пластиковых или острых предметов (например, стекло, гвозди, винты, монеты и т.д.), а также элементов крупнее диаметра трубочки для напитков удалите их, чтобы избежать засорения всасывающей трубы и нарушения нормальной работы изделия.
- Держите волосы, распушенную одежду, пальцы и другие части тела подальше от отверстий вакуума и движущихся частей. Не направляйте удлинитель, палочку или инструменты на глаза или уши и не кладите их в рот.
- Запрещено ставить какие-либо предметы на всасывающее отверстие. Не используйте пылесос, если всасывающее отверстие засорилось. Наличие больших кусков пыли, ваты, волос и других предметов может привести к ослаблению воздушного потока. Своевременно проводите очистку.
- Не прислоняйте пылесос к неустойчивым предметам, таким как стул или обеденный стол, чтобы не повредить пылесос и не травмировать пользователя в результате падения пылесоса. При повреждении или неисправности пылесоса в результате падения, обратитесь к официальному сервисному представителю. Не разбирайте изделие самостоятельно.
- Заряжайте батарею в строгом соответствии с инструкциями. В случае неправильной зарядки и превышении указанного диапазона температуры, батарея может быть повреждена.
- Используйте только аксессуары и запасные части, рекомендованные производителем.
- Будьте предельно внимательны во время использования изделия для уборки лестницы.
- Извлеките штепсельную вилку перед техническим обслуживанием или ремонтом, а также в случае продолжительного хранения изделия.
- Не проводите сборку, не заряжайте и не используйте данное изделие на улице, в ванной комнате или вблизи бассейна.
- Предупреждение об опасности возгорания: не наносите какие-либо ароматизаторы на фильтр данного изделия - химические вещества, содержащиеся в таких изделиях являются легковоспламеняющимися и могут привести к возгоранию.
- Используйте только оригинальное зарядное устройство (модель YLS0251B-E300080/KL-WE300080-S1/PZ552-24W-3000800EU). Невыполнение этого требования может привести к воспламенению литий-ионного аккумулятора.
- **ВНИМАНИЕ!** Для зарядки аккумулятора используйте только съемный блок питания, поставляемый в комплекте с данным изделием.
- Используйте только разрешенный тип аккумулятора (модель V2309-751P-01). Невыполнение этого требования может привести к воспламенению литий-ионного аккумулятора.
- В случае выброса материала аккумуляторов эвакуируйте персонал из опасной зоны до остывания аккумуляторов и рассеивания паров.
- Обеспечьте максимальную вентиляцию для удаления опасных газов и не допускайте контакта паров с кожей и глазами или их вдыхания.
- Удалите пролитую жидкость с помощью абсорбента и уничтожьте отходы посредством сжигания.

- Запрещается использовать и хранить изделие в экстремальных температурных условиях (ниже 0°C или выше 40°C). Используйте оригинальный адаптер питания и проводите подзарядку при температуре от 0°C до 40°C.
- Меры предосторожности при хранении и транспортировке:
- Продукт должен транспортироваться в упаковке. Не подвергайте продукт давлению или ударам во время транспортировки.
- Пожалуйста, избегайте сильных столкновений во время транспортировки.
- Не транспортируйте пылесос при температуре выше 50°C или ниже -20°C.
- В случае краткосрочного хранения, например одного месяца, пылесос рекомендуется хранить при температуре от -20 °C до 50 °C и относительной влажности 60% ± 5%. В случае длительного хранения пылесос рекомендуется хранить при температуре окружающей среды от 0 °C до 40 °C.
- Утилизируйте пылесос надлежащим образом. Когда его срок службы подойдет к концу, утилизируйте пылесос в соответствии с местными законами и правилами страны или региона, в котором он используется.
- Правила и условия реализации: без ограничений.
- Импортер продает этот продукт; информацию об импортере см. на упаковке.
- Сведения об импортере и контактная информация отдела послепродажного обслуживания указаны на упаковке.
- Дата изготовления: см. на упаковке.
- Срок службы продукции 3 лет.
- Данное изделие подходит исключительно для домашнего использования.
- Клеммы питания не должны быть закорочены.



Прочитать руководство по эксплуатации



Съемный блок питания



Только для использования в помещении

Мы, компания Dreame Trading (Tianjin) Co. , Ltd. , настоящим заявляем, что данное изделие соответствует требованиям всех действующих директив ЕС и европейских стандартов со всеми изменениями и дополнениями. Полный текст декларации о соответствии нормативным требованиям ЕС доступен по адресу: <https://global.dreametech.com>

Подробное электронное руководство см. по адресу <https://global.dreametech.com/pages/user-manuals-and-faqs>

Описание изделия

Список аксессуаров

1. Удлинитель
2. Универсальная щетка
3. Универсальный инструмент
4. Электрическая минищетка
5. Зарядное устройство
6. Насадка для щелей
7. Настенное крепление (в комплект входят 2 винта, 2 дюбеля и наклейка с установочным шаблоном)

Рис. А

Примечание: Все иллюстрации в данном руководстве приведены исключительно для справки. По внешним параметрам ориентируйтесь на фактический вид изделия.

Название детали

1. Кнопка регулировки скорости
2. Дисплей
3. Блок активации
4. Кнопка разблокировки удлинительной трубки
5. Удлинитель
6. Универсальная щетка
7. Антистатический контакт
8. Разъем для зарядки
9. Индикатор состояния аккумулятора
10. Кнопка снятия аккумулятора
11. Кнопка питания
 - Нажмите, чтобы включить
 - Отпустите, чтобы выключить
12. Контейнер для пыли
13. Кнопка снятия нижней крышки

контейнера для пыли

14. Кнопка отсоединения щетки

Рис. В-1

Описание функций дисплея

1. Блок активации

Однократно нажмите, чтобы войти в состояние блокировки/выйти из состояния блокировки.

2. Режим блокировки

3. Уровень заряда аккумулятора в процентах

Когда на дисплее отображается «LO», это означает, что уровень заряда аккумулятора ниже 10 %.

4. Уровень всасывания

Цвет значка в форме вентилятора меняется в зависимости от режима.

5. Кнопка регулировки скорости

Однократно нажмите на переключатель, чтобы выбрать один из режимов: экономичный, средний или турбо.

Примечание: При каждом включении пылесоса по умолчанию используется средний режим.

6. ⚡ Индикатор зарядки/уровня заряда аккумулятора

Мигает красным: Уровень заряда аккумулятора $\leq 10\%$

Медленно мигающий красный: Уровень заряда аккумулятора $\leq 10\%$ (заряжается)

Медленно мигающий зеленый: Уровень заряда аккумулятора $> 10\%$ (заряжается)

7. Средний

8. Экономичный

9. Турбо

Примечание: В случае неисправности работы пылесоса на дисплее появится информация о проблеме. Внимательно прочитайте указанную информацию и изучите таблицу неисправностей для ее устранения.

Fig. B-2

Инструкция по установке и сборке

Рис. С-1  Вставьте до щелчка

Диаграмма установки настенной подставки

1. Нижний край наклейки с установочным шаблоном должен быть параллелен земле и находиться от нее на высоте около 107 см.
2. При помощи перфоратора со сверлом 8 мм просверлите отверстия согласно отметка на стикере и вставьте дюбель в каждое отверстие.
3. Соедините отверстия на подставке с отверстиями на стене. Закрепите подставку на стене с помощью винтов в комплекте.

Рис. С-2

Примечание:

- Настенная подставка не является обязательным аксессуаром. Выполните установку по необходимости.
- Настенную подставку необходимо устанавливать на прохладной сухой поверхности рядом с электрической розеткой. Перед установкой убедитесь, что непосредственно за местом установки не проходят электрические провода и трубы.

Зарядка

Перед первым использованием зарядите пылесос до полной зарядки.

Примечание:

Настенная подставка не является обязательным аксессуаром. Выполните установку по необходимости.

Настенную подставку необходимо устанавливать на прохладной сухой

поверхности рядом с электрической розеткой. Перед установкой убедитесь, что непосредственно за местом установки не проходят электрические провода и трубы.

Режимы зарядки

Зарядка с помощью зарядного устройства

Рис. D-1

Индикатор состояния аккумулятора

- ● ☀ Низкий уровень заряда
- ☀ ○ Средний уровень заряда
- ☀ ○ ○ Почти полный уровень заряда
- ○ ○ Полный уровень заряда

- Выкл.
- ☀ Мигание
- Вкл.

Рис. D-2

Примечание:

Через 5 минут после окончания зарядки индикатор погаснет, а пылесос перейдет в энергосберегающий режим.

Способы отображения уровня зарядки

Дисплей

Цифровое отображение уровня заряда на дисплее во время зарядки. Цифра 100 означает, что аккумулятор полностью заряжен.

Правила эксплуатации изделия

Рабочие режимы


Доступны 2 режима работы робота-пылесоса, которые могут быть выбраны в зависимости от требований к уборке.

Режим 1: "прерывистая уборка"

Нажмите и удерживайте кнопку питания, чтобы включить устройство, и отпустите кнопку, чтобы сразу же его выключить.

Рис. Е-1


Режим 2: "непрерывная уборка"

В рабочем состоянии пылесоса нажмите кнопку , чтобы включить режим безостановочной работы. Затем отпустите выключатель пылесоса, чтобы перейти в режим безостановочной работы.

С помощью функции Блок активации вы можете не удерживать кнопку переключения постоянно для защиты от усталости.

Рис. Е-2

Примечание:

- В режиме безостановочной работы постоянно светится индикатор блокировки.
- Повторно нажмите на кнопку  Блок активации, чтобы выйти из режима непрерывной уборки.

Сценарии использования аксессуаров

Универсальная щетка

- При использовании на детских игровых ковриках, коврах или для пылесоса кофейных зерен, поп-корна и других гранул включите переключатель на щетке.

- При пылесосе на плитке, деревянных полах или других твердых поверхностях выключайте выключатель.

Рис. Е-3

Примечание: При запуске прибора автоматически включаются индикаторы перед валиком щетки, что удобно для использования.

Электрическая минищетка

используется для уборки грязи, шерсти животных и других стойких загрязнений на диване, матрасе и других тканевых поверхностях.

Рис. Е-4

Примечание: Не рекомендуется использовать пылесос для уборки поверхностей, на которых могут остаться зацепки и царапины (напр. Шелк).

Универсальный инструмент

используется для очистки штор, клавиатуры, потолочной плитки, салона автомобиля, кофейных столиков и т. д.

Fig. E-5

Насадка для щелей

Подходит для чистки щелей, углов дверей и окон, лестниц и других труднодоступных мест.

Рис. Е-6

Настенная подставка

Пылесос можно разместить на настенной подставке, когда он не используется.

Примечание:

Поместите пылесос на настенное крепление вместе с присоединенными удлинителем и универсальной щеткой.

Рис. Е-7

Примечание:

- В случае заклинивания какой-либо вращающейся детали пылесос может автоматически отключиться. Уберите застрявшие посторонние предметы и продолжите уборку.
- В случае перегрева аккумулятора пылесос автоматически отключится. Подождите, пока температура аккумулятора нормализуется, а затем продолжите уборку.

Уход и ремонт

Меры предосторожности

- Используйте оригинальные запчасти, иначе гарантия может быть аннулирована.
- В случае засорения фильтра, насадки или умной многофункциональной щетки робот-пылесос может выключиться сразу после запуска.

Очистите засоренные детали перед повторным запуском.

- Если пылесос не будет использоваться в течение длительного периода времени, отключите адаптер питания от розетки при полной зарядке и храните его в прохладной среде с низким уровнем влажности вдали от прямых солнечных лучей. Чтобы избежать повреждения аккумулятора из-за чрезмерной разрядки, подзаряжайте пылесос не реже одного раза в 3 месяца.

Очистка пылесоса

Протрите пылесос мягкой сухой тряпкой.

Очистка контейнера для пыли, фильтра предварительной очистки и циклонного блока

Если контейнер для пыли заполнен до отметки "MAX", эффективность работы пылесоса может значительно снизиться. Для оптимальной работы своевременно очищайте контейнер для пыли. Перед очисткой контейнера убедитесь, что пылесос отключен от розетки, и не нажимайте кнопку "Пуск".

1. Нажмите кнопку снятия нижней крышки контейнера для пыли в направлении, обозначенном стрелкой, а затем откройте крышку и извлеките содержимое контейнера.

Рис. F-1

2. Нажмите кнопку извлечения контейнера для пыли в направлении, обозначенном стрелкой, как показано на Рис. 1, а затем извлеките контейнер для пыли из пылесоса, как на Рис. 2.

Рис. F-2

3. Сначала снимите фильтр предварительной очистки, поверните

ручку циклонного блока против часовой стрелки до упора, а затем извлеките циклонный блок.

Рис. F-3

4. Протрите пылесборник мягкой влажной тканью. Обратите внимание на отжатие ткани перед использованием.

Рис. F-4

⚠ Контейнер для пыли содержит электрические компоненты. Запрещено промывать контейнер водой!

5. Тщательно промойте фильтр предварительной очистки и циклонный блок, а затем отложите минимум на 24 часа для полной просушки.

Рис. F-5

Примечание:

- Контейнер для пыли следует промывать как минимум раз в месяц.
- Рекомендуется очищать фильтр предварительной уборки не реже одного раза в 3 месяца, а циклонный блок — не реже одного раза в 6 месяцев.

Установка контейнера для пыли, фильтра предварительной очистки и циклонного блока

1. Вставьте циклонный блок вертикально в контейнер для пыли так, чтобы ручка циклонного блока соединилась с отверстием на левой стенке контейнера для пыли. Поверните ручку по часовой стрелке до упора, а затем опустите ее.

2. Вставьте фильтр предварительной очистки в циклонный блок передней стороны вверх.

Рис. F-6

3. Слегка наклоните контейнер для пыли, чтобы его отверстие соединилось с фиксатором на пылесосе. Затем осторожно нажмите на контейнер в направлении, обозначенном стрелкой, до щелчка, чтобы завершить установку.

Рис. F-7**Очистка фильтра**

Рекомендуется очищать фильтр каждые 4–6 месяцев.

1. Извлеките контейнер для пыли так, как показано на рисунке.

Рис. F-8

2. Достаньте фильтр из пылесоса движением вниз, как показано на рисунке.

Рис. F-9

3. Промойте фильтр чистой водой, поворачивая фильтр на 360°, чтобы полностью удалить накопившуюся в нем пыль. Несколько раз слегка постучите по фильтру, чтобы убрать избыток грязи.

Рис. F-10

4. Просушите фильтр в течение как минимум 24 часов.

Рис. F-11

Примечание:

- Промывайте фильтр только чистой водой. Не используйте чистящие средства.
- Не очищайте фильтр щеткой или пальцами.

Установка фильтра

1. Вставьте фильтр в пылесос и слегка нажмите на него, как показано на рисунке.

Рис. F-12

2. Установите контейнер для пыли на место.

Рис. F-13**Очистка универсальной щетки**

1. Поверните блок против часовой стрелки до упора, затем снимите ролик с роликовой щетки.

Рис. F-14

2. С помощью ножниц срежьте волосы и ткань, застрявшие на роликовой щетке. Сотрите пыль с паза и прозрачной крышки сухой тканью или бумажным полотенцем. Перед использованием тщательно просушите.

Рис. F-15

3. Если роликовая щетка загрязнится, промойте ее водой до чистоты.

Рис. F-16

4. Поставьте роликовую щетку вертикально и оставьте минимум на 24 ч до полного высыхания.

Рис. F-17**Очистка электрической минищетки**

1. С помощью монетки поверните замок против часовой стрелки до щелчка.

Рис. F-18

2. После разблокировки электрической минищетки снимите роликовую щетку, затем ополосните и очистите ее.

Рис. F-19

3. Поставьте роликовую щетку вертикально в хорошо вентилируемом месте минимум на 24 ч до полного высыхания.

Рис. F-20

4. Когда роликовая щетка высохнет, установите ее на место в последовательности, обратной установке.

Рис. F-21**Аккумулятор**

Пылесос содержит съемный литий-ионный аккумулятор с ограниченным количеством циклов зарядки. После продолжительного использования аккумулятор может перестать держать заряд. Это означает, что срок службы аккумулятора подошел к концу и его требуется заменить.

1. Нажмите кнопку снятия аккумулятора и сдвиньте аккумулятор вправо, как показано на рисунке, чтобы снять его.
2. Вставьте новый аккумулятор.

Рис. F-22

Технические характеристики

Беспроводной пылесос			
Модель	VZV22A		
Напряжение при зарядке	30 V \equiv	Номинальное напряжение	25,2 V \equiv
Номинальная мощность	350 W	Время зарядки	Около 3,5 ч.
Электрическая минищетка			
Модель	VMM4		
Номинальная мощность	20 W	Номинальное напряжение	25,2 V \equiv
Универсальная щетка			
Модель	VMBR		
Номинальная мощность	40 W	Номинальное напряжение	25,2 V \equiv
Адаптер			
Модель	YLS0251B-E300080/KL-WE300080-S1/PZ552-24W-3000800EU		
Входное	100-240 V \sim 50/60 Hz 0,8 A Max	Выход	30 V \equiv 0,8 A
Средний КПД в активном состоянии	88,53%	Эффективность при низкой нагрузке (10%)	78,66%
Энергопотребление без нагрузки		0,09 W	
Перезаряжаемый литий-ионный аккумулятор			
Модель	V2309-7S1P-01		
Расчетное напряжение	25,2 V \equiv	Номинальная емкость	2500 mAh
Реальная емкость	2400 mAh	Энергия	60,48 Wh

Вопросы и ответы

Если пылесос перестал работать в нормальном режиме, см. таблицу устранения неисправностей ниже.

Неисправность	Возможная причина	Решение
Пылесос не работает.	Аккумулятор устройства разряжен или имеет низкий уровень заряда.	Полностью зарядите пылесос, а затем продолжите использование.
	В результате засорения автоматически включился режим защиты от перегрева.	Подождите, пока пылесос остынет, а затем заново включите его.
	Отверстие для всасывания или воздушное отверстие засорилось.	Удалите засор из всасывающего отверстия или воздуховода.
Сила всасывания снизилась.	Заполнен контейнер для пыли и/или засорен фильтр.	Очистите контейнер для пыли и очистите блок фильтра.
	Аксессуар засорился.	Очистите аксессуар от загрязнений.
Посторонние шумы в двигателе.	Основное отверстие для всасывания или удлинитель засорились.	Очистите основное отверстие для всасывания или удлинитель от загрязнений.
Первый индикатор горит красным во время зарядки пылесоса.	Аккумулятор поврежден.	По вопросам техобслуживания свяжитесь с службой послепродажного обслуживания.
Во время зарядки пылесоса первый индикатор мигает красным.	Используется несовместимое зарядное устройство.	Используйте только оригинальное зарядное устройство для зарядки пылесоса.

Вопросы и ответы

Неисправность	Возможная причина	Решение
Во время зарядки пылесоса индикатор заряда не горит.	Зарядное устройство не подключено к пылесосу.	Убедитесь, что зарядное устройство подключено правильно.
	Аккумулятор полностью заряжен и перешел в спящий режим.	Пылесос готов к использованию.
	Если после устранения обоих указанных выше ситуаций проблема по-прежнему не устранена.	Обратитесь в отдел послепродажного обслуживания компании для проведения ремонта.
Медленная зарядка аккумулятора	Слишком низкая или слишком высокая температура аккумулятора.	Подождите, пока температура аккумулятора не вернется к норме, а затем зарядите его.
LED лампы для многослойных поверхностей не работают.	LED лампы повреждены.	Обратитесь в отдел послепродажного обслуживания компании для проведения ремонта.

Литий-ионный аккумулятор содержит вещества, представляющие опасность для окружающей среды. Перед утилизацией пылесоса сначала выньте аккумулятор и утилизируйте или сдайте его на переработку в соответствии с местными законами и правилами страны или региона эксплуатации.

При извлечении аккумулятора необходимо отключить прибор от электропитания. Храните аккумуляторы в недоступном для детей месте. Запрещается класть аккумуляторы в рот. В случае проглатывания свяжитесь с терапевтом либо местным отделом контроля опасных веществ.

В условиях, противоречащих установленным, запрещается прикасаться к аккумулятору, из которого вытекает жидкость. Если контакта не удалось избежать, промойте место контакта водой. В случае попадания аккумуляторной жидкости в глаза, немедленно обратитесь за медицинской помощью. Аккумуляторная жидкость может вызывать раздражение или ожог.

Устранение неисправностей

Примечание: В случае неисправности работы пылесоса на дисплее появится информация о проблеме. Внимательно прочитайте указанную информацию и изучите таблицу неисправностей для ее устранения.

Значок неисправности	Статус	Предупреждение о неисправности	Решения
	Мигающий оранжевый	Засорение воздушного отверстия	Проверьте, не заблокирован ли контейнер для пыли, удлинитель или щетка.
	Мигающий оранжевый	Щеточный валик заклинило	Для удаления мусора и волос, намотавшихся на щеточный ролик, следуйте инструкциям из раздела [Очистка щетки].
	Сплошной оранжевый	Расход фильтра подходит к концу	Вовремя заменяйте фильтр.
	Мигающий красный	Предупреждение о высокой температуре	Подождите, пока температура электродвигателя вернется к норме.

Если на экране дисплея появляется один из кодов ошибки — от E0 до E4, обратитесь в службу послепродажного обслуживания.

Информация об утилизации и переработке отходов электрического и электронного оборудования



Все изделия с символом отдельного сбора отработанного электрического и электронного оборудования (Директива WEEE 2012/19/EU) следует утилизировать отдельно от несортируемых бытовых отходов. С целью охраны здоровья и защиты окружающей среды такое оборудование необходимо сдавать на переработку в специальные пункты приема электрического и электронного оборудования, определенные правительством или местными органами власти. Правильная утилизация и переработка помогут предотвратить возможные негативные последствия для окружающей среды и здоровья человека. Для получения информации о местонахождении и порядке приема устройств в пунктах приема обратитесь в компанию, занимающуюся установкой оборудования, или в местные органы власти.

Қауіпсіздік нұсқаулары

Құрылғыны дұрыс пайдаланбау салдарынан тоқ соғу немесе өрт шығу сияқты оқиғалардың алдын алу үшін құрылғыны қолдану алдында осы нұсқаулықты мұқият оқып шығыңыз және оны келешекте пайдалану үшін сақтаңыз.

Назар аударыңыз

- Қауіпсіз қолдану және кез келген қауіп-қатерлердің алдын алу мақсатында, осы өнімді 8 жасқа толған және одан ересек балалар, шектеулі дене және ақыл-ой қабілеттері, сондай-ақ басқа сезім мүшелерінің кемістігі бар, немесе тәжірибесі не білімі шектеулі адамдар ата-анасының немесе қамқоршысының қарауымен қолдана алады. Балаларға бақылаусыз қрылғыны тазалауға және күтім жасауға болмайды.
- Бл қрылғы физикалық, сезу немесе ақыл қабілеттері төмен немесе тәжірибесі мен білімі аз адамдардың (атап айтқанда балалардың) қолдануына арналмаған, бірақ олардың қауіпсіздігіне жауапты тлға қрылғыны қолдануға қатысты бақылау жүргізсе немесе нсқау берсе бл қрылғыны қолдана алады.
- Балалар қрылғымен ойнамас үшін балаларға қарау қажет.
- Шаңсорғыш ойыншық емес. Балаларға осы өніммен ойнауға немесе оны қолдануына болмайды. Шаңсорғышты балалардың қасында қолдану кезінде өте сақ болыңыз. Балаларға шаңсорғышты ата-анасының немесе қамқоршысының қарауынсыз тазалауға немесе жөндеуге рқсат бермеңіз.
- Шаңсорғышты сыртта немесе дымқыл едендердің үстінде қолданбаңыз.
- Шаңсорғышты тек үй-жайдың қрғақ едендерде қолданыңыз. Су қолмен шаңсорғыштың ашасын немесе басқа бөліктерін стамаңыз.
- Өрт, жарылыс немесе жарақат қатерін азайту үшін қолдану алдында литий аккумуляторы мен қуат адаптері зақымданбағанын тексеріп көз жеткізіңіз. Егер литий аккумуляторы немесе қуаттау қрылғысы зақымдалған болса, шаңсорғышты қолданбаңыз.
- Әмбебап қылшақ, көмескі жарығы бар айналмалы жмсақ қылшақ, моторлы шағын қылшақ, батарея, металдан жасалған қосқыш істікше және вакуум электр өткізеді және оларды суға немесе басқа сйықтыққа батыруға болмайды. Тазалаудан кейін барлық сүзгілерді міндетті түрде кептіріңіз.
- Қозғалмалы бөлшектерден жарақат алмау үшін әмбебап қылшақты, көмескі жарығы бар айналмалы жмсақ қылшақты және моторлы шағын қылшақты тазалау алдында шаңсорғышты өшіріңіз. Әмбебап қылшақты, көмескі жарығы бар айналмалы жмсақ қылшақты, моторлы шағын қылшақты, батареяны, шаң бөлігін және сүзгіні шаңсорғышты қолдану алдында дрыс орнату қажет.
- Тек түпнұсқалық қуат адаптерін қолданыңыз. Ешқашан түпнұсқадан басқа адаптерді қолданбаңыз, себебі ол литий аккумуляторының өрт шалуына себепші болады.
- Шаңсорғышты жанармай немесе ағартқыш, аммиак, көріз тазартқыш немесе өзге сйықтықтар сияқты жанғыш немесе ттанғыш сйықтықты сорып алу үшін қолдануға болмайды.
- Шаңсорғышты шыны, шеге, брандалар немесе тиындар сияқты өткір немесе қатты заттарды сорып алу үшін қолдануға болмайды, себебі олар қрылғыны зақымдауы мүмкін. Шаңсорғышпен гипс қатырма сынықтарын, ошақ күлі сияқты күлді, немесе көмір, темекі тқылдары немесе сіріңке сияқты түтіндеп немесе жанып трған материалдарды сорып алуға болмайды.
- Тазаланатын орынды шаңсорғышты қолдану алдында бір тексеріп шығыңыз. Саңылауларды бітеліп қалудан сақтау үшін саңылаулардан үлкенірек қағаздарды, умаждалған қағазды, пластик сынықтарын немесе өткір заттарды (шыны, шеге, бранда, тиын т.б.) және басқа заттарды алып тастаңыз.
- Шашыңызды, түймеленбеген немесе бос киімді, саусақтарыңызды және басқа дене мүшелерін шаңсорғыштың саңылауларынан және қозғалмалы

бөлшектерден алшақ стаңыз. зартқыш түтікті, ластырғыш тетікті немесе қралдарды көзіңізге немесе қлағыңызға қарай бағыттамаңыз немесе аузыңызға салмаңыз.

- Шаңсорғыштың саңылауларына ешқандай заттарды салмаңыз. Шаңсорғыштың қандай да бір саңылауы бітеліп қалса, оны қолданбаңыз. Ауа ағынын бөгейтін шаң, түк, шаш немесе басқа заттарды тазалаңыз.
- Шаңсорғышты зақымдаудан немесе өзіңізді жарақаттан сақтау үшін шаңсорғышты орындық, үстел немесе басқа трақсыз заттарға сүйеп қоймаңыз. Егер шаңсорғыш төңкеріліп қлағаннан зақымдалса немесе жмысында басқа ақаулар анықталса, біздің ресми қызмет көрсету орталығымызға хабарласыңыз. Қрылғыны ешқашан өзіңіз бөлшектемеңіз.
- Нсқаулықтағы аккумуляторды қуаттау жөніндегі барлық нсқаулар қатаң сәйкестікте орындалуы тиіс. Аккумуляторды белгіленген температура ауқымынан тыс дрыс қуаттамау салдарынан аккумулятор зақымдалуы мүмкін.
- Тек өндіруші сынған керек-жарақтарды және қосалқы бөлшектерді қолданыңыз.
- Шаңсорғышпен баспалдақтарды тазалау кезінде өте сақ болыңыз.
- зақ уақыт бойы қолданылмайтын кезде немесе түрлі техникалық күтім жасау немесе жөндеу алдында шаңсорғыштың қуат көзінен ажыратылғанына көз жеткізіңіз.
- Осы қрылғыны сыртта, жуынатын бөлмеде немесе бассейннің айналасында орнатуға, қуаттауға немесе қолдануға болмайды.
- Өрт қауіпі туралы ескерту: Шаңсорғыштың сүзгісіне ешқандай иіссу себуге болмайды. Осындай өнімдердің қрамында жанғыш химиялық заттар бар екені мәлім, олар шаңсорғыштың өрт шалуына себепші болуы мүмкін.
- Тек түпнсқалы қуаттау қрылғысын қолданыңыз (YL50251B-E300080/KL-WE300080-S1/PZ552-24W-3000800EU үлгісі). Кері жағдайда литий-ионды батарея өртенуі мүмкін.
- НАЗАР АУДАРЫҢЫЗ: Аккумуляторды қайта зарядтау үшін осы қрылғымен бірге жеткізілген алмалы-салмалы қуат блогын ғана пайдаланыңыз.
- Тек рқсат етілген аккумулятор түрін (V2309-751P-01 үлгісі) қолданыңыз. Кері жағдайда литий-ионды батарея өртенуі мүмкін.
- Егер аккумулятордың ішіндегі материал ақса, аккумулятор суығанша және булары сейілгенше адамдарды сол аймақтан шығарыңыз.
- Қауіпті газдарды шығару үшін барынша желдету қажет және булардың теріге немесе көзге тиюінен немесе булардың деммен ішке баруынан сақтаныңыз.
- Төгілген сйықтықты сіңіргіш материалмен сүртіп алыңыз және қалдықтарды өртеңіз.
- Аса ыстық немесе суық ортада (0 /32°F төмен немесе 40 /104°F жоғары) қолдануға болмайды. Сымсыз шаңсорғышты 0 /32°F жоғары және 40 /104°F төмен температурада қуаттаңыз.
- Бл өнім үй-жайдың ішінде қолдануға арналған.
- Қуат сымының клеммалары қысқа тйықталмауы тиіс.



Пайдаланушы нұсқаулығын оқыңыз

 Алмалы-салмалы қуат көзі



Тек үй-жай ішінде қолдануға арналған

Біз, Dreame Trading (Tianjin) Co., Ltd., осы құжат негізінде, осы жабдықтың күші бар Директиваларға, Еуропалық нормаларға және түзетулерге сәйкестігін мәлімдейміз. ЕО сәйкестік декларациясының толық мәтінімен келесі интернет сілтемесіне өтіп танысуға болады: <https://global.dreametech.com>

Электрондық нұсқаулықтың толық нұсқасымен <https://global.dreametech.com/pages/user-manuals-and-faqs> сілтемесі бойынша өтіп таныса аласыз

Өнімге шолу

Керек-жарақтар

1. Ұзартқыш түтік
2. Әмбебап қылшақ
3. Кең құрама аспап
4. Электр мини-қылшақ
5. Қуаттау құрылғысы
6. Саңылау тазалағыш саптама
7. Қабырға кронштейні (2 бұранданы, 2 тығынды және орнату үлгісі жапсырмасын қоса)

Ескерту: Бұл нұсқаулықтағы суреттер тек иллюстрациялық мақсатта берілген. Нақты өнімнің айырмашылығы болуы мүмкін.

А-суреті

Құрамбөліктің атаулары

1. Сору деңгейінің батырмасы
2. Дисплей экраны
3. Бұғаттаудың ысырмалы батырмасы
4. Ұзартқыш түтікті ажырату батырмасы
5. Ұзартқыш түтік
6. Әмбебап қылшақ
7. Антистатикалық түйіспе
8. Зарядтау порты
9. Жарықдиод аккумуляторы күйінің индикатор шамы
10. Аккумуляторды ажырату батырмасы
11. Қуат батырмасы
- Іске қосу үшін басыңыз
- Өшіру үшін басыңыз
12. Шаңжинағыш
13. Шаңжинағыштың астыңғы қақпағын ажырату батырмасы
14. Қылшақты ажырату батырмасы

В-1 суреті

Дисплей экранына кіріспе

1. Бұғаттаудың ысырмалы батырмасы
Бұғаттау күйіне ену/шығу үшін қысқа уақытқа басыңыз.

2. Бұғаттау күйі

3. Аккумулятор қуат деңгейінің % көрсеткіші

Дисплейге "LO" деген жазба шыққанда, ол аккумулятор қуатының деңгейі 10% төмен екенін білдіреді.

4. Сору деңгейі

Желпуіш түріндегі белгінің түсі режимге байланысты ауысып тұрады.

5. Сору деңгейінің батырмасы

Эко, мед және турбо режимдерін ауыстыру үшін қысқа уақытқа басыңыз.

Ескерту: Мед режимі шаңсорғышты қосқан сайын әдепкі қалыпта қолданылатын режим.

6. ⚡ Қуаттау/аккумулятор қуат деңгейінің индикаторы

Жыпылықтайтын қызыл түс: Аккумулятор деңгейі $\leq 10\%$

Лүпілдеген қызыл түс: Аккумулятор деңгейі $\leq 10\%$ (қуатталуда)

Лүпілдеген жасыл: Аккумулятор деңгейі $> 10\%$ (қуатталуда)

7. Орта
8. Эко
9. Турбо

Шаңсорғыш дұрыс жұмыс істемесе, экран дисплейіне қате туралы хабар шығады. Өз мәселеніздің шешімін табу үшін төмендегі ақаулықтарды анықтау кестесін қараңыз.

В-2 суреті

Орнату

С-1 суреті  Басыңыз

Қабырға кронштейнін орнату схемасы

1. Орнату үлгісі жапсырмасының төменгі жиегі жерге параллель болуы және жерден шамамен 107 см алшақ болуы керек.
2. 8 мм бұрғылау ұшы бар электр

бұрғымен орнату үлгісінің жапсырмасындағы әр белгі арқылы тесік бұрғылаңыз, содан кейін әр тесікке анкер салыңыз.

- Кронштейндегі тесіктерді қабырғадағы тесіктермен туралаңыз. Оны қабырғаға бірге берілген бұрандалармен бекітіңіз.

C-2 суреті

Ескерту:

- Қабырға кронштейні — бұл қосымша аксессуар. Оны қажет кезде орнатуға болады.
- Қабырға кронштейні электр розеткасы жақын, салқын және құрғақ бетке орнатылуы керек. Орнатпас бұрын, қабырғадағы орнатылатын жерде электр сымдары немесе құбырлар жүргізілмегеніне көз жеткізіңіз.

Зарядтау

Шаңсорғышты алғашқы рет қолдану алдында оны толық қуаттаңыз.

Ескерту:

- Толық қуаттау шамамен 4 сағат алады.
- Турбо режимін ұзақ уақыт бойы пайдалану оның аккумуляторын қыздырады, сол себепті қуаттау уақыты да ұзарады. Шаңсорғышты алдымен 30 минуттай салқындатыңыз, содан кейін қуаттаңыз.

Қуаттау әдістері

Шаңсорғышты қуаттағышпен қуаттау

D-1 суреті

Жарықдиод аккумуляторы күйінің индикатор шамы

- ● ☀ Аккумулятор төмен
- ☀ ○ Аккумулятор қуаты жарты
- ☀ ○ ○ Толық қуатталуға жақын
- ○ ○ Толық қуатталған
- Өшірулі ☀ Жыпылықтап ○ Қосулы
тұр

Ескерту: Шаңсорғыш толық қуатталған соң индикатор 5 минуттан кейін сөніп, шаңсорғыш энергия үнемдеу режиміне өтеді.

D-2 суреті

Пайдалану әдісі

Аккумулятор қуатының дисплейі

Дисплей экраны

Дисплей экранында қуаттау барысындағы аккумулятордың ағымдағы қуат деңгейі пайыз түрінде көрсетіледі. Сан 100-ге жеткенде, аккумулятор толық қуатталғанын білдіреді.

Жұмыс режимдері

Өзіңіздің қажеттіліктеріңізге қарай шаңсорғыштың екі жұмыс режимінің бірін таңдаңыз.

1-ші режим: Үзілісті тазалау режимі

Оны қосу үшін қосу/өшіру батырмасын басып, ұстап тұрыңыз және лезде тоқтату үшін оны жіберіңіз.

E-1 суреті

2-ші режим: Үздіксіз тазалау режимі (бұғаттаудың ысырмалы батырмасы)

Шаңсорғыш жұмыс істеп тұрған кезде Үздіксіз тазалау режиміне ауысу үшін бұғаттаудың ысырмалы батырмасын басыңыз. Содан кейін шаңсорғыш Үздіксіз тазалау режиміне өтуі үшін қосу/өшіру батырмасын жіберіңіз.

Батырманы басып ұстап тұрғаннан саусақтарыңыз шаршауы мүмкін, оларды босату және олардың шаршауына жол бермеу үшін бұғаттаудың ысырмалы батырмасын қолданыңыз.

E-2 суреті

Ескерту:

- Бұл режимде құлыптау индикаторы үнемі жанып тұрады.
- Үздіксіз тазалау режимінен шығу үшін

бұғаттаудың ысырмалы батырмасын қайта басыңыз.

Әртүрлі саптамаларды қолдану

Әмбебап қылшақ

Балалардың ойын кілемшелерін, кілемдерді тазалау немесе кофе дәндерін, попкорнды және басқа түйіршіктерді сорып алу үшін қылшақтағы ауыстырып қосқышты басыңыз.

- Кафельді, ағаш едендерді немесе басқа қатты беттерді тазалаған кезде, ауыстырып қосқышты кері басыңыз.

Е-3 суреті

Ескерту: Құрылғы қосылған кезде айналмалы қылшақтың бетіндегі шамдар автоматты түрде жанады, ол қолдануды ыңғайлы етеді.

Электр мини-қылшақ

Кірді, жануар жүнін және басқа да тұрақты ластарды дивандардан, матрасардан және басқа матамен қапталған беттерден сорып алуға арналған.

Е-4 суреті

Ескерту: Жібек сияқты беті ілінетін немесе сырылатын беттерді тазалауға қолданбаған жөн.

Кең құрама аспап

Перделерді, пернетақталарды, төбелерді, дивандарды, автокөлік салондарын, кофе үстелдерін және т.б. шаңсорғышпен тазалау үшін.

Е-5 суреті

Саңылау тазалағыш саптама

Тар саңылауларды, есіктердің және терезелердің бұрыштарын, баспалдақтарды және жетуге қиын жерлерді тазалауға лайықты.

Е-6 суреті

Қабырға кронштейні

Шаңсорғыш пайдаланылмаған кезде, оны қабырға кронштейніне орнатып қоюға болады.

Ескерту: Шаңсорғышты ұзартқыш түтігі мен әмбебап қылшағын қоса қабырға кронштейніне орнатыңыз.

Е-7 суреті

Ескерту:

- Егер қандай да бір айналмалы бөлшек қысылып қалса, шаңсорғыш автоматты түрде тоқтап қалуы мүмкін. Қысылып қалған заттарды шығарып алыңыз және тазалауды жалғастырыңыз.
- Қозғалтқыш шамадан тыс қызып кеткенде, шаңсорғыш автоматты түрде тоқтайды. Аккумулятордың температурасы түскенше күтіңіз, содан кейін тазалауды жалғастырыңыз.

Күтім және техникалық қызмет көрсету

Кеңестер:

1. Кепілдікті сақтау үшін әрдайым түпнұсқалық бөлшектерді қолданыңыз.
2. Сүзгі немесе саптама бітеліп қалса, шаңсорғыш қосылғаннан кейін қайта өшіп қалады. Қайта жұмысқа қосу үшін түтікті тазалаңыз.
3. Егер шаңсорғыш ұзақ уақыт бойы қолданылмаса, оны толықтай қуаттаңыз, қуаттағышты суырып алып, оны ылғалдылығы төмен, күн сәулесі түспейтін салқын жерде сақтаңыз. Аккумулятордың қуаты шамадан тыс таусылмауы үшін шаңсорғышты кемінде үш айда бір рет қуаттаңыз.

Шаңсорғышты тазалау

Шаңсорғышты құрғақ, жұмсақ матамен сүртіңіз.

Шаңжинағышты, бастапқы тазарту сүзгісін және бөлгіш блокты тазалау

Шаңжинағыш "MAX" белгісіне дейін толса, шаңсорғыштың тиімділігі төмендейді. Тиімділікті қалпына келтіру үшін шаңжинағышты уақтылы босатып отырыңыз. Шаң жинағышты босатпас бұрын, шаңсорғыштың ажыратылғанына көз жеткізіңіз және қуат батырмасын баспаңыз.

1. Шаңжинағыштың астыңғы қақпағын ажырату батырмасын басыңыз, ішіндегі қоқысты босатыңыз.

F-1 суреті

2. Шаңжинағышты көрсеткі бағытында бекіту батырмасын басып, шаңсорғыштан шаңжинағышты абайлап алыңыз.

F-2 суреті

3. Алдымен алдын ала тазалау сүзгісін алып, содан кейін бөлгіш блоктың тұтқасын көтеріп, оны сағат тіліне қарсы бұраңыз, содан кейін циклон блогын тартып алыңыз.

F-3 суреті

4. Шаңжинағышты жұмсақ, дымқыл шүберекпен сүртіңіз. Пайдалану алдында шүберекті сығуды ұмытпаңыз.

F-4 суреті

⚠ Ток соғу қаупін азайту үшін шаңжинағышты сумен жумаңыз.

5. Бөлгіш блокты және алдын ала тазалау сүзгісін тазарғанша жуыңыз. Жуғаннан кейін ауада кемінде 24 сағат кептіріңіз.

F-5 суреті

Ескерту:

- Шаңжинағышты ай сайын тазалап тұрған жөн.
- Алдын ала тазалау сүзгісін кемінде 3 айда бір рет, ал циклон жүйесін кемінде 6 айда бір рет тазалаған жөн.

Шаңжинағышты, бастапқы тазарту сүзгісін және бөлгіш блокты орнату

1. Бөлгіш блокты шаңжинағышқа тігінен салыңыз және бөлгіш блоктың тұтқасы шаңжинағыштың сол жағындағы ойыққа сәйкес келетініне көз жеткізіңіз. Тұтқаны бекітілгенге дейін сағат тілімен бұрап, содан кейін төмен қаратыңыз.

2. Алдын ала тазалау сүзгісін бөлгіш блокқа жоғары қаратып қойыңыз.

F-6 суреті

3. Шаңжинағыштың саңылауы шаңсорғыштың орнықтырғышына дәл келгенше шаңжинағышты сәл еңкейтеңіз. Одан кейін шаңжинағышты орнына сырт етіп түскенше жайлап басыңыз.

F-7 суреті

Сүзгіні тазалау

Сүзгіні 4 немесе 6 айда бір рет тазалап тұрған жөн.

1. Шаңжинағышты суретте көрсетілгендей шығарып алыңыз.

F-8 суреті

2. Шаңсорғыштан сүзгіні суретте көрсетілген бағытта төмен қарай тартып шығарып алыңыз.

F-9 суреті

3. Сүзгіні таза сумен тазалаңыз. Сүзгіге түскен шаңды мұқият тазалау үшін сүзгіні 360° бұрап, сүзгіде тұрып қалған барлық шаңды алып тастаңыз. Артық кір-қоқысты кетіру үшін сүзгіні бірнеше рет жайлап түртіңіз.

F-10 суреті

4. Сүзгіні ауада кем 24 сағат бойы кептіріңіз.

F-11 суреті

Ескерту:

- Сүзгіні тек таза сумен жуыңыз. Жуғыш затты қолданбаңыз.

- Сүзгіні қылшақпен немесе саусақпен тазартуға болмайды.
- Сүзгіні 4 немесе 6 айда бір рет тазалап тұрған жөн.

Сүзгіні орнату

1. Сүзгіні шаңсорғышқа салыңыз және суретте көрсетілгендей жайлап төмен қарай басыңыз.

2. Шаңжинағышты қайта орнатыңыз.

F-12 суреті

2. Шаңжинағышты қайта орнатыңыз.

F-13 суреті

Әмбебап қылшақты тазалау

1. Бұғаттау кілтін сағат тіліне кері бағытта тірелгенше бұраңыз, содан кейін қылшақтың айналмалы бөлшегін шығарып алыңыз.

F-14 суреті

2. Қайшымен айналмалы қылшаққа оралып қалған шаш пен талшықтарды кесіп алыңыз. Ойық пен мөлдір қақпақтағы шаңды құрғақ матамен немесе қағаз сүлгімен сүртіңіз. Қолдану алдында толық кептіру қажет.

F-15 суреті

3. Ластанған кезде айналмалы қылшақты тазарғанша таза сумен шайыңыз.

F-16 суреті

4. Айналмалы қылшақ толық кепкенше оны кем дегенде 24 сағатқа тік тұрғызып қойыңыз.

F-17 суреті

Электр мини-қылшақты тазалау

1. Суретте көрсетілгендей, бұғаттау кілтін тиынмен сағат тіліне кері бағытта сырт еткен дыбыс шыққанша бұраңыз.

F-18 суреті

2. Электр мини-қылшақты босатқаннан кейін, айналмалы қылшақты шығарып, оны

жауыңыз және тазартыңыз.

F-19 суреті

3. Айналмалы қылшақты толық кепкенше жақсы желдетілетін жерде 24 сағатқа тік күйде тұрғызып қойыңыз.

F-20 суреті

4. Айналмалы қылшақ кепкеннен кейін оны бөлшектеудің кері ретімен жинаңыз.

F-21 суреті

Аккумулятор

Шаңсорғыштың алынбалы қайта қуатталғыш литий-ионды аккумуляторы бар және оның қуаттау циклдерінің саны шектеулі. Ұзақ уақыт бойы қолданғаннан кейін, аккумулятор қуат ұстамай қалуы мүмкін. Бұл аккумулятордың қызмет мерзімі аяқталғанын және ауыстыруды қажет ететінін білдіреді.

1. Аккумуляторды ажырату батырмасын төмен қарай басыңыз және аккумуляторды суретте көрсетілгендей оңға қарай ысырып, шығарып алыңыз.

2. Жаңа аккумуляторды орнатыңыз.

F-22 суреті

Техникалық сипаттамасы

Шаңсорғыш			
Үлгі	VZV22A		
Зарядтау кернеуі	30 V ===	Есептік кернеу	25,2 V ===
Номиналды қуат	350 W	Зарядтау уақыты	Шамамен 3,5 сағат
Электр мини-қылшақ			
Үлгі	VMM4		
Номиналды қуат	20 W	Есептік кернеу	25,2 V ===
Әмбебап қылшақ			
Үлгі	VMBR		
Номиналды қуат	40 W	Есептік кернеу	25,2 V ===
Қуаттау құрылғысы			
Үлгі	YLS0251B-E300080/KL-WE300080-S1/PZ552-24W-3000800EU		
Кіріс қуаты	100-240 V ~ 50/60 Hz 0,8 A Max	Шығыс қуаты	30 V === 0,8 A
Орташа белсенді пайдалану коэффициенті	88,53%	Төмен жүктемеде пайдалану коэффициенті (10%)	78,66%
Бос жүрісте қуат тұтыну		0,09 W	
Қайта қуатталғыш литий-ионды аккумулятор			
Үлгі	V2309-7S1P-01		
Номиналды кернеу	25,2 V ===	Номиналды сыйымдылық	2500 mAh
Шынайы сыйымдылығы	2400 mAh	Энергия	60,48 Wh

Егер шаңсорғыш дұрыс жұмыс істемесе, төмендегі кестені қараңыз.

Қателер	Ықтимал себептері	Шешімдер
Шаңсорғыш жұмыс істемейді.	Құрылғының батарея қуаты таусылған немесе батареяның қуат деңгейі төмен.	Шаңсорғышты толық қуаттаңыз, содан кейін тазалауды жалғастырыңыз.
	Бітелуге байланысты шамадан тыс қызудан сақтау режимі қосылған.	Сору саңылауларын немесе ауа жолын тазалаңыз. Шаңсорғыш салқындағанын күтіңіз, одан кейін оны қайта қосыңыз.
	Сору саңылауы немесе ауа жолы бітеліп қалған.	Сору саңылауын немесе ауа жолын бітеп тұрған затты шығарып алыңыз.
Сору күші әлсіз.	Шаңжинағыш толып тұр және/немесе сүзгі блогы бітеліп қалған.	Шаңжинағышты босатыңыз және сүзгі блогын тазалаңыз.
	Саптама бітеліп қалған.	Саптаманы бітеп тұрған затты шығарып алыңыз.
Қозғалтқыштан бөтен дыбыс шығып тұр.	Негізгі сору саңылауы немесе ұзартқыш түтік бітеліп қалған.	Негізгі сору саңылауын немесе ұзартқыш түтікті бітеп тұрған затты шығарып алыңыз.
Шаңсорғышты қуаттау кезінде бірінші индикатор қызыл болып жанады.	Акумулятор блогы зақымдалған.	Техникалық қызмет көрсетуді ұйымдастыру үшін сатудан кейінгі қызмет көрсету тобына хабарласыңыз.
Шаңсорғышты қуаттау кезінде бірінші индикатор қызыл болып жыпылықтайды.	Қуаттау құрылғысы жабдықпен үйлеспейді.	Шаңсорғышты зарядтау үшін тек түпнұсқалық қуаттау құрылғысын қолданыңыз.

Қателер	Ықтимал себептері	Шешімдер
Қуаттау кезінде аккумулятор индикаторы жанбайды.	Қуаттау құрылғысы шаңсорғышқа нық кірмейді.	Қуаттау құрылғысының шаңсорғышқа дұрыс кіргізілгенін тексеріңіз.
	Аккумулятор қуатталып тұрған кезде “ұйқы режиміне” өздігінен ауысып кетеді.	Шаңсорғыш қалыпты жұмыс істеп тұр.
	Жоғарыдағы екі ықтимал себепті тексергеннен кейін де қате әлі кетпеді.	Сатудан кейінгі қызмет көрсету бөліміне хабарласыңыз.
Шаңсорғыш баяу қуатталады.	Аккумулятордың температурасы тым төмен немесе тым жоғары.	Аккумулятордың температурасы түскенше күтіңіз, содан кейін қайта қуаттаңыз.
Әмбебап қылшақтың шамдары жұмыс істемейді.	ЖАРЫҚДИОДТЫ шамдар зақымдалған.	Сатудан кейінгі қызмет көрсету бөліміне хабарласыңыз.





Литий-ионды аккумулятордың ішінде қоршаған ортаға қауіп төндіретін заттектер бар. Шаңсорғышты қоқысқа тастамас бұрын алдымен аккумуляторды шығарып алыңыз, содан кейін оны тастаңыз немесе оны жергілікті заңдарға және қолданылатын елдің немесе өңірдің ережелеріне сәйкес қайта өңдеуге тапсырыңыз.

Аккумуляторды шығару кезінде құрылғы қуат көзінен ажыратылған болуы керек. Аккумуляторды балалардың қолы жетпейтін жерде сақтаңыз. Аккумуляторды ауызға салуға болмайды. Жұтып қойған жағдайда дәрігерге немесе жергілікті токсикологиялық қызметке хабарласыңыз.

Белгіленген талаптарға қайшы қолданған кезде, сұйықтық ағуы ықтимал аккумуляторды ешқашан ұстамаңыз. Кездейсоқ ұстасаңыз, сумен шайыңыз. Сұйықтық көзге тиіп кетсе дереу медициналық көмекке жүгініңіз. Аккумулятордан аққан сұйықтық тітіркенуге немесе күйікке шалдықтыруы мүмкін.

Ақаулықтарды анықтау

Шаңсорғыш дұрыс жұмыс істемесе, экран дисплейіне қате туралы хабар шығады. Өз мәселеніздің шешімін табу үшін төмендегі ақаулықтарды анықтау кестесін қараңыз.

Қате белгішесі	Күйі	Қате туралы хабар	Шешімдер
	Жыпылықтайтын қызылғыт сары түс	Ауа жолының бітелуі	Шаңжинағыш, ұзартқыш түтік немесе қылшақ бітеліп қалмағанын тексеріңіз.
	Жыпылықтайтын қызылғыт сары түс	Айналмалы қылшақтың қысылып қалуы	Айналмалы қылшаққа оралып қалған қоқыстар мен шашты тазалау үшін [Қылшақты тазалау] тарауын қараңыз.
	Тұрақты қызылғыт сары түс	Сүзгінің қызмет мерзімі аяқталуға жақын	Сүзгіні уақытылы ауыстырыңыз.
	Жыпылықтайтын қызыл түс	Жоғары температура туралы ескерту	Қозғалтқышқыштың температурасы қалыптыға түскенше күте тұрыңыз.
Дисплейге E0 бастап E4 дейін қате кодтардың бірі шықса, сатудан кейінгі қызмет көрсету тобына хабарласыңыз.			

WEEE (Электр және электронды жабдықтың өндіріс қалдықтарын кәдеге жарату) туралы ақпарат



Осындай таңбасы бар барлық өнімдер электр және электронды жабдықтардың қалдықтары болып табылады (2012/19/EU директивасына сәйкес – WEEE), оларды сұрыпталмаған тұрмыстық қалдықтармен араластыруға болмайды.

Оның орнына, сіз пайдаланылған жабдықты үкімет немесе жергілікті билік тағайындаған қалдық электр және электронды жабдықты қайта өңдеу орнының арнайы жинау бекетіне тапсыру арқылы адам денсаулығы мен қоршаған ортаны қорғауыңыз керек. Қалдықтарды дұрыс жайғастыру және қайта өңдеу қоршаған ортаға және адам денсаулығына кері әсер тигізудің алдын алуға көмектеседі. Осындай жинау бекеттерінің орналасқан жерлері және олардың ережелері мен шарттары туралы қосымша ақпарат алу үшін орнатушы тарапқа немесе жергілікті билік органдарына хабарласыңыз.

Правила техніки безпеки

Щоб запобігти нещасним випадкам, зокрема ураженню електричним струмом або пожежі, спричиненим неналежним використанням пристрою, уважно прочитайте цей посібник перед початком роботи та збережіть його для подальшого використання.

Попередження

- Цей виріб можуть використовувати діти віком від 8 років і старше, а також особи з фізичними, сенсорними, інтелектуальними вадами, обмеженим досвідом або знаннями під наглядом батьків або опікунів з метою забезпечення безпечної експлуатації та уникнення будь-якого ризику небезпеки. Дітям без нагляду забороняється виконувати прибирання та роботи з обслуговування пристрою.
- Цей прилад не призначений для використання особами (включаючи дітей) з обмеженими фізичними, сенсорними або розумовими здібностями, а також особами з недостатнім досвідом і знаннями, якщо тільки вони не перебувають під наглядом або не проінструктовані щодо використання приладу особою, відповідальною за їхню безпеку.
- Слідкуйте за тим, щоб діти не гралися з приладом.
- Пилосос – це не іграшка. Діти не повинні грати з цим виробом або користуватися ним. Будьте обережні, використовуючи пилосос поблизу дітей. Не дозволяйте дітям чистити або обслуговувати пилосос без нагляду батьків або опікунів.
- Не використовуйте пилосос на відкритому повітрі або на вологих поверхнях. Використовуйте його тільки на сухих поверхнях у приміщенні. Не торкайтеся вилки або будь-якої частини пилососа мокрими руками.
- Щоб зменшити ризик пожежі, вибуху або травмування, перед використанням переконайтеся, що літєвий акумулятор і зарядний пристрій не пошкоджені. Не використовуйте пилосос, якщо літєвий акумулятор або зарядний пристрій пошкоджено.
- Універсальна щітка, м'яка роликівна щітка з підсвічуванням, міні-щітка з електроприводом, акумулятор, металевий контактний штифт і сам пилосос є електропровідними. Їх не можна занурювати у воду або іншу рідину. Обов'язково висушуйте всі фільтри після їхнього очищення.
- Щоб запобігти травмуванню рухомими частинами, перед чищенням універсальної щітки, м'якої роликівної щітки з підсвічуванням і міні-щітки з електроприводом вимкніть пилосос. Перед використанням пилососа необхідно правильно встановити універсальну щітку, м'яку роликівну щітку з підсвічуванням, міні-щітку з електроприводом, відсік для пилу та фільтр.
- Використовуйте лише оригінальний зарядний пристрій. Ніколи не використовуйте неоригінальний зарядний пристрій, оскільки це може призвести до загоряння літєвого акумулятора.
- Не використовуйте пилосос для збору легкозаймистих або горючих рідин, як-от бензин, відбілювач, аміак, засоби для чищення каналізації та інші рідини.
- Не використовуйте пилосос для збирання гострих або твердих предметів, як-от скло, цвяхи, гвинти або монети, які можуть його пошкодити. Не використовуйте пилосос для збирання частинок гіпсокартону, попелу, наприклад, камінного, а також продуктів горіння, як-от вугілля, недопалків або сірників.
- Перед використанням пилососа перевірте ділянку, яку потрібно прибирати. Щоб запобігти блокуванню отворів, очистіть їх від шматків великого паперу, кульків із паперу, пластикового матеріалу або гострих предметів (наприклад, скла, цвяхів, шурупів, монет тощо), а також усіх інших предметів, які перевищують розміри отворів.

- Тримайте волосся, вільний одяг, пальці та інші частини тіла подалі від отворів і рухомих частин пирососа. Не спрямовуйте подовжувальну трубку, насадку або інструменти в очі або вуха і не беріть їх до рота.
- Не вставляйте жодних предметів в отвори пирососа. Не використовуйте пиросос із заблокованими отворами. Не допускайте потрапляння в отвори пирососа пилу, ворсу, волосся та інших предметів, які можуть зменшити потік повітря.
- Не кладіть пиросос на стілець, стіл або іншу нестійку поверхню, оскільки це може призвести до пошкодження пристрою або травмування. Якщо пиросос пошкоджено внаслідок падіння або він вийшов з ладу з інших причин, зверніться до авторизованого сервісного центру компанії-виробника. Ніколи не намагайтеся розібрати пристрій самостійно.
- Суворо дотримуйтесь усіх інструкцій, наведених у посібнику з підзарядки акумулятора. Неправильне заряджання акумулятора в зазначеному температурному діапазоні може призвести до його пошкодження.
- Використовуйте лише допоміжні приналежності та запасні частини, рекомендовані виробником.
- Будьте особливо обережні, використовуючи пиросос для прибирання сходів.
- Якщо пиросос не використовується протягом тривалого часу, а також перед виконанням його обслуговування або ремонту, обов'язково від'єднайте його від електромережі.
- Не встановлюйте, не заряджайте і не використовуйте цей виріб на відкритому повітрі, у ванних кімнатах або біля басейну.
- Попередження щодо пожежної безпеки. Не наносьте на фільтр пирососа жодних ароматизаторів. Ці типи виробів містять легкозаймисті хімічні речовини, які можуть спричинити загоряння пирососа.
- Використовуйте тільки оригінальний зарядний пристрій (модель YLS0251B-E300080/KL-WE300080-S1/PZ552-24W-3000800EU). Недотримання цієї вимоги може призвести до загоряння літій-іонного акумулятора.
- **ПОПЕРЕДЖЕННЯ.** Для підзарядки акумулятора використовуйте лише знімний блок живлення, що постачається разом із цим пристроєм.
- Використовуйте лише дозволений тип акумулятора (модель V2309-7S1P-01). Недотримання цієї вимоги може призвести до загоряння літій-іонного акумулятора.
- Якщо з акумулятора витікла рідина, виведіть людей із приміщення, доки акумулятори не охолонуть і випаровування не розвіються.
- Забезпечте максимальну вентиляцію для видалення небезпечних газів і уникайте контакту зі шкірою та очима або вдихання парів.
- Пролиту рідину приберіть за допомогою абсорбенту, а відходи спаліть.
- Не використовуйте та не зберігайте пристрій в надзвичайно гарячих або холодних умовах (нижче 0 °C або вище 40 °C). Заряджайте бездротовий пиросос за температури вище 0 °C і нижче 40 °C.
- Цей виріб призначений тільки для домашнього використання.
- Клеми живлення не повинні бути короткозамкненими.



Прочитайте посібник з експлуатації



Знімний блок живлення



Тільки для використання в приміщенні

Компанія Dreame Trading (Tianjin) Co., Ltd. стверджує, що це обладнання відповідає чинним директивам і європейським нормам, а також поправкам до них. Повний текст декларації про відповідність ЄС доступний за наступною інтернет-адресою: <https://global.dreametech.com>

З повним текстом електронного посібника можна ознайомитися, відвідавши вебсторінку <https://global.dreametech.com/pages/user-manuals-and-faqs>

Основна інформація про виріб

Допоміжні приналежності

1. Подовжувальна трубка
2. Універсальна щітка
3. Широка комбінована насадку
4. Міні-щітка з електроприводом
5. Зарядний пристрій
6. Щілинна насадка
7. Настінне кріплення(у т. ч. 2 гвинти, 2 дюбелі і наклейка з монтажним шаблоном)

Примітка. Зображення в цьому посібнику наведено тільки з ознайомлювальною метою. Справжній виріб може відрізнятись.

Рис. А

Назви компонентів

1. Перемикач рівня потужності всмоктування
2. Екран дисплея
3. Фіксатор вимикача
4. Кнопка вивільнення подовжувальної трубки
5. Подовжувальна трубка
6. Універсальна щітка
7. Антистатичний контакт
8. Зарядний порт
9. Світлодіодний індикатор стану акумулятора
10. Кнопка розблокування акумулятора
11. Кнопка живлення
 - Натисніть, щоб увімкнути
 - Натисніть, щоб вимкнути
12. Пилосбірник
13. Кнопка розблокування нижньої кришки пилосбірника
14. Кнопка розблокування щітки

Рис. В-1

Загальний вигляд екрана дисплея

1. Фіксатор вимикача
- Натисніть, щоб увійти / вийти зі стану блокування
2. Стан блокування
3. Рівень заряду акумулятора у відсотках

Коли на дисплеї відображається «LO» (Низький заряд), це означає, що рівень заряду акумулятора нижче 10%.

4. Рівень потужності всмоктування

У різних режимах значок вентилятора відображається різними кольорами.

5. Перемикач рівня потужності всмоктування

Для перемикач між економічним, середнім і турбо режимами застосовуйте короткі натискання.

Примітка. Після ввімкнення пилососа за замовчуванням використовується середній режим.

6. ⚡ Індикатор зарядки/заряду акумулятора

Блимає червоним кольором: рівень заряду акумулятора $\leq 10\%$

Пульсує червоним кольором: рівень заряду акумулятора $\leq 10\%$ (зарядка)

Пульсує зеленим кольором: рівень заряду акумулятора $> 10\%$ (зарядка)

7. Med (Середній)

8. Eco (Економічний)

9. Turbo (Турбо)

Якщо пилосос не працює належним чином, на екрані відображається повідомлення про помилку. Для пошуку вирішення проблеми див. таблицю пошуку та усунення несправностей.

Рис. В-2

Встановлення

Рис. С-1 ≡ Клац

Схема встановлення настінного кріплення

1. Нижній край наклейки з монтажним шаблоном повинен бути розташований на висоті приблизно 107 см паралельно до підлоги.
2. Просвердліть дрилем зі свердлом на 8 мм отвори за позначками на наклейці з монтажним шаблоном і вставте в кожний з отворів дюбель.
3. Сумістіть отвори в настінному кріпленні з отворами у стіні. Прикріпіть його до стіни гвинтами, що входять у комплект.

Рис. С-2

Примітка.

- Настінне кріплення є додатковим приладдям. Його можна встановлювати, виходячи з власних потреб.
- Настінне кріплення слід встановлювати на холодній сухій поверхні поряд з електричною розеткою. Перед встановленням переконайтеся в тому, що у просторі безпосередньо за місцем встановлення немає електричних дротів чи труб.

Зарядка

Перед першим використанням повністю зарядіть пилосос.

Примітка.

- Заряджання до повного заряду триватиме прибіл. 4 години.
- Тривале використання в режимі Turbo (Турбо) призводить до перегрівання акумулятора, що збільшує час заряджання. Перед заряджанням пилососа дайте йому охолонути протягом 30 хвилин.

Способи заряджання

Заряджання пилососа за допомогою зарядного пристрою

Рис. D-1

Світлодіодний індикатор стану акумулятора

- ● ☀ Акумулятор розряджений
- ☀ ○ Акумулятор наполовину заряджений
- ☀ ○ ○ Майже повний
- ○ ○ Повністю заряджений
- Вимк ☀ Блимає ○ Увімк

Примітка. Після повного заряджання пилососа індикатор стану вимикається через 5 хвилин, а пилосос переходить у режим енергозбереження.

Рис. D-2

Спосіб використання

Дисплей стану акумулятора Екран дисплея

Під час заряджання число на екрані дисплея відображає поточний рівень заряду акумулятора у відсотках. Коли число дорівнює 100, це означає, що акумулятор повністю заряджений.

Способи роботи

Залежно від власних потреб, слід вибрати один із двох способів роботи.

1-й спосіб: періодичний режим прибирання

Натисніть і утримуйте вимикач живлення, щоб увімкнути пилосос; щоб вимкнути його, відпустіть вимикач.

Рис. E-1

2-й спосіб: тривалий режим прибирання (фіксатор вимикача)

Щоб перейти у тривалий режим прибирання, потрібно під час роботи пилососа натиснути фіксатор вимикача. Після цього відпустіть вимикач, щоб пилосос працював у тривалому режимі прибирання.

Фіксатор вимикача дозволяє звільнити

пальці і не втомлювати їх постійним натисканням вимикача.

Рис. Е-2

Примітка.

- У цьому режимі постійно горітиме індикатор фіксатора.
- Щоб вийти з тривалого режиму прибирання, натисніть фіксатор вимикача ще раз.

Використання різних допоміжних приналежностей

Універсальна щітка

- Під час використання на дитячих ігрових килимках, килимах або для прибирання кавових зерен, поп-корну та інших гранул переведіть перемикач на щітці в положення «ввімкнено».

- Під час прибирання на плитці, дерев'яній підлозі або інших твердих поверхнях переведіть перемикач на щітці в положення «вимкнено».

Рис. Е-3

Примітка. Під час пуску приладу перед щіткою-валиком автоматично вмикається підсвічування, що є зручним для використання.

Міні-щітка з електроприводом

Для прибирання бруду, шерсті домашніх тварин та іншого стійкого сміття з диванів, постільної білизни та інших тканинних поверхонь.

Рис. Е-4

Примітка. Не рекомендується пилювати крихкі поверхні, як-от шовк.

Широка комбінована насадка

Для очищення пилюсопом штор, клавіатур, стелі, диванів, салонів автомобілів, журнальних столиків тощо.

Рис. Е-5

Щілинна насадка

Підходить для прибирання щілин, кутів дверей і вікон, сходів та інших

важкодоступних місць.

Рис. Е-6

Настінне кріплення

Коли пилюсос не використовується, його можна повісити на настінне кріплення.

Примітка. Перш ніж вшати пилюсос на настінне кріплення, встановіть на нього продовжувальну трубку і універсальну щітку.

Рис. Е-7

Примітка.

- Якщо будь-яка деталь, що обертається, застрягне, пилюсос може автоматично вимкнутись. Видаліть усі застрягли сторонні предмети і продовжуйте прибирання.
- У разі перегріву двигуна пилюсос автоматично вимкнеться. Зачекайте, поки температура акумулятора повернеться до норми, і продовжуйте прибирання.

Догляд і технічне обслуговування

Поради.

1. Щоб не втратити гарантію, завжди використовуйте оригінальні деталі.
2. Якщо фільтр або насадка засмічені, пилюсос припинить працювати незабаром після увімкнення. Очистіть трубку, щоб відновити роботу.
3. Якщо пилюсос не використовується протягом тривалого періоду часу, повністю зарядіть його, витягніть вилку з розетки і зберігайте в прохолодному місці з низькою вологістю, подалі від прямих сонячних променів. Щоб уникнути надмірного розрядження акумулятора, заряджайте пилюсос принаймні раз на три місяці.

Очищення пилососа

Протирайте пилосос м'якою сухою ганчіркою.

Очищення пилозбірника, фільтра попереднього очищення та циклонного блока

Коли пилозбірник заповнений до позначки «MAX», пилосос прибирає менш ефективно. Щоб відновити його ефективність, своєчасно випорожняйте пилозбірник. Перш ніж випорожнити пилозбірник, обов'язково відключіть пилосос від мережі й не натискайте його кнопку живлення.

1. Натисніть кнопку зняття нижньої кришки пилозбірника, а потім випорожніть його вміст.

Рис. F-1

2. Натисніть важіль звільнення пилозбірника у напрямку стрілки й акуратно вийміть пилозбірник з пилососа.

Рис. F-2

3. Спочатку вийміть фільтр попереднього очищення, потім встановіть ручку циклонного блока і поверніть її проти годинникової стрілки до упору та вийміть циклонний блок угору.

Рис. F-3

4. Протирайте пилозбірник м'якою мокрою ганчіркою. Обов'язково викрутіть ганчірку, перш ніж користуватися нею.

Рис. F-4

⚠ Щоб зменшити ризик ураження електричним струмом, не мийте пилозбірник водою.

5. Промийте циклонний блок і фільтр попереднього очищення до повної чистоти. Після миття висушіть їх на повітрі принаймні протягом 24 годин.

Рис. F-5

Примітка.

- Рекомендується очищувати пилозбірник щомісяця.
- Рекомендується очищувати фільтр попереднього очищення принаймні раз на 3 місяці, а циклонну систему — принаймні раз на 6 місяців.

Встановлення пилозбірника, фільтра попереднього очищення та циклонного блока

1. Вставте циклонний блок вертикально в пилозбірник, обов'язково сумістивши ручку циклонного блока з пазом на лівому боці пилозбірника. Поверніть ручку за годинниковою стрілкою до фіксації та відхиліть її в нижнє положення.

2. Вставте фільтр попереднього очищення в циклонний блок передньою частиною догори.

Рис. F-6

3. Трохи нахиліть пилозбірник, щоб сумістити паз із виступом пилососа. Після цього акуратно натисніть пилозбірник до фіксації.

Рис. F-7

Очищення фільтра

Рекомендується чистити фільтр раз на 4–6 місяців.

1. Зніміть пилозбірник, як показано на рисунку.

Рис. F-8

2. Вийміть фільтр з пилососа, потягнувши його вниз у напрямку, показаному на рисунку.

Рис. F-9

3. Вимийте фільтр чистою водою. Обов'язково покрутіть фільтр в усі сторони, щоб добре вимити його і звільнити від застряглого в ньому пилу. Злегка постукайте по фільтру кілька разів, щоб видалити сильне

забруднення.

Рис. F-10

4. Дайте фільтру висохнути на повітрі протягом 24 годин.

Рис. F-11

Примітка.

- Для миття фільтра використовуйте лише чисту воду. Не використовуйте миючі засоби.
- Не намагайтеся чистити фільтр щіткою або пальцем.
- Рекомендується чистити фільтр раз на 4-6 місяців.

Встановлення фільтра

1. Вставте фільтр у пиросос і акуратно притисніть його донизу, як показано на рисунку.

2. Установіть на місце пилозбірник.

Рис. F-12

2. Установіть на місце пилозбірник.

Рис. F-13

Очищення універсальної щітки

1. Поверніть фіксатор проти годинникової стрілки до упору, потім витягніть ролик із щітки-валика.

Рис. F-14

2. Зріжте ножицями волосся й волокна, які застрягли у щітці-валику. Витріть пил з виїмки та прозорої кришки сухою ганчіркою або паперовим рушником. Перед використанням ретельно висушіть.

Рис. F-15

3. У разі забруднення промийте щітку-валик чистою водою, доки вона не стане чистою.

Рис. F-16

4. Залиште щітку-валик у вертикальному положенні щонайменше на 24 години до повного висихання.

Рис. F-17

Очищення міні-щітки з електроприводом

1. За допомогою монети, як показано на рисунку, поверніть замок проти годинникової стрілки, доки не почуєте клацання.

Рис. F-18

2. Після розблокування міні-щітки з електроприводом зніміть щітку-валик, промийте й очистьте її.

Рис. F-19

3. Залиште щітку-валик у вертикальному положенні в добре провітрюваному приміщенні щонайменше на 24 години до повного висихання.

Рис. F-20

4. Після того, як щітка-валик висохне, встановіть її на місце, виконавши кроки розбирання у зворотному порядку.

Рис. F-21

Акумуляторний блок

Пиросос містить знімний літій-іонний акумулятор, який має обмежену кількість циклів перезарядки. Після тривалого використання акумулятор може перестати тримати заряд. Якщо це сталося, це означає, що акумуляторний блок вичерпав свій термін служби та потребує заміни.

1. Натисніть кнопку від'єднання акумуляторного блока та посуньте акумуляторний блок вправо, як показано на рисунку, щоб вийняти його.

2. Встановіть новий акумуляторний блок.

Рис. F-22

Технічні характеристики

Пилосос			
Модель	VZV22A		
Напруга заряджання	30 В ===	Номінальна напруга	25,2 В ===
Номінальна потужність	350 Вт	Час заряджання	Прибл. 3,5 години
Міні-щітка з електроприводом			
Модель	VMM4		
Номінальна потужність	20 Вт	Номінальна напруга	25, 2 В ===
Універсальна щітка			
Модель	VMBR		
Номінальна потужність	40 Вт	Номінальна напруга	25, 2 В ===
Зарядний пристрій			
Модель	YLS0251B-E300080/KL-WE300080-S1/PZ552-24W-3000800EU		
Вхідні дані	100-240 V ~ 50/60 Гц 0, 8 А Max	Вихідні дані	30 В === 0, 8 А
Середня активна ефективність	88,53%	Ефективність при низькому навантаженні (10%)	78,66%
Споживання енергії без навантаження		0,09 Вт	
Літій-іонний акумуляторний блок			
Модель	V2309-7S1P-01		
Номінальна напруга	25,2 В ===	Паспортна потужність	2500 мАг
Номінальна ємність	2400 мАг	Енергія	60,48 Вт-год

ПОШИРЕНІ ЗАПИТАННЯ

Якщо пилосос не працює належним чином, див. таблицю нижче.

Помилки	Можливі причини	Способи усунення
Пилосос не працює.	Прилад розрядився або рівень заряду акумулятора низький.	Повністю зарядіть пилосос, після чого продовжуйте використання.
	Спрацьовує режим захисту від перегрівання через засмічення.	Очистьте всмоктувальні отвори або повітропровід. Зачекайте, поки пилосос охолоне, а потім увімкніть його знову.
	Заблоковано всмоктувальний отвір або повітропровід.	Усуньте засмічення у всмоктувальному отворі або повітропроводі.
Слабка сила всмоктування.	Пилозбірник переповнений та/або блок фільтра засмічений.	Випорожніть пилозбірник та/або очистіть блок фільтра.
	Насадка заблокована.	Усуньте засмічення в насадці.
Електродвигун створює дивний шум.	Заблоковано головний всмоктувальний отвір або подовжувальну трубку.	Усуньте засмічення в головному всмоктувальному отворі або подовжувальній трубці.
Під час прибирання пилососом перший індикатор світиться червоним кольором.	Пошкоджено акумуляторний блок.	Зверніться до служби післяпродажного обслуговування для проведення технічного обслуговування.
Під час прибирання пилососом перший індикатор блимає червоним кольором.	Зарядний пристрій несумісний.	Для заряджання пилососа використовуйте лише оригінальний зарядний пристрій.

ПОШИРЕНІ ЗАПИТАННЯ

Помилки	Можливі причини	Способи усунення
Під час заряджання індикатор заряду акумулятора не світиться.	Зарядний пристрій не вставляється у пилосос.	Перевірте, чи правильно під'єднано зарядний пристрій до пилососа.
	Акумулятор заряджається й автоматично переходить у режим сну.	Пилосос працює нормально.
	Проблема не щезає після усунення двох попередніх можливостей.	Зверніться до відділу післяпродажного обслуговування для проведення технічного обслуговування.
Пилосос заряджається повільно.	Температура акумулятора занадто низька або занадто висока.	Зачекайте, поки температура акумулятора повернеться до норми, а потім підзарядіть його.
Світлодіодні індикатори універсальної щітки не працюють.	Світлодіодні лампочки пошкоджені.	Зверніться до відділу післяпродажного обслуговування для проведення технічного обслуговування.





Літій-іонний акумуляторний блок містить речовини, небезпечні для навколишнього середовища. Перед утилізацією пилососа вийміть акумуляторний блок і здайте його на утилізацію або переробку відповідно до місцевих законів і правил країни або регіону, в якому він використовується.

Під час виймання акумулятора пристрій має бути відключений від мережі електроживлення. Зберігайте батареї в недоступному для дітей місці. Ніколи не беріть батареї до рота. У разі проковтування зверніться до лікаря або до місцевої токсикологічної служби.

У разі неправильного використання ніколи не торкайтеся акумулятора, з якого може вилитися рідина. При випадковому контакті промийте водою. Якщо рідина потрапила в очі, негайно зверніться за медичною допомогою. Рідина, що витікає з акумулятора, може спричинити подразнення або опіки.

Пошук і усунення несправностей

Якщо пиросос не працює належним чином, на екрані відображається повідомлення про помилку. Для пошуку вирішення проблеми див. таблицю пошуку та усунення несправностей.

Піктограма помилки	Стан	Повідомлення про помилку	Способи усунення
	Блимає помаранчевим кольором	Повітропровід заблоковано	Перевірте, чи не заблоковано пилозбірник, подовжувальну трубку або щітку.
	Блимає помаранчевим кольором	Застрягла щітка-валик	Щоб видалити сміття та волосся, що намоталося на щітку-валик, ознайомтеся з розділом «Очищення щітки».
	Постійно світиться помаранчевим кольором	Термін дії фільтра закінчується	Замінійте фільтр вчасно.
	Блимає червоним кольором	Сповіщення про високу температуру	Зачекайте, поки охолоне двигун.

Якщо на екрані дисплея з'явиться код помилки від E0 до E4, зверніться до служби післяпродажного обслуговування.

Інформація щодо відходів електричного й електронного обладнання (WEEE)



Усі вироби, на які нанесено цей знак, являють собою відходи електричного й електронного обладнання (WEEE, згідно з Директивою 2012/19/EU), і їх не слід викидати разом із несорттованим побутовим сміттям. Натомість слід берегти здоров'я людей і довкілля, здаючи відходи обладнання до спеціального пункту збору відходів електричного та електронного обладнання, призначеного урядом або місцевими органами влади. Правильна утилізація і повторна переробка допоможе запобігти можливому негативному впливу на довкілля та здоров'я людей. Для отримання додаткової інформації щодо розташування й умов роботи таких пунктів збирання зверніться до спеціалістів, які займаються встановленням такого обладнання, або до місцевих органів влади.